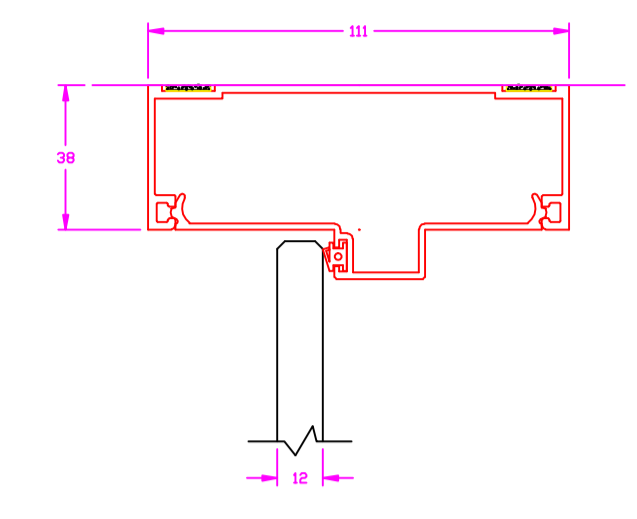
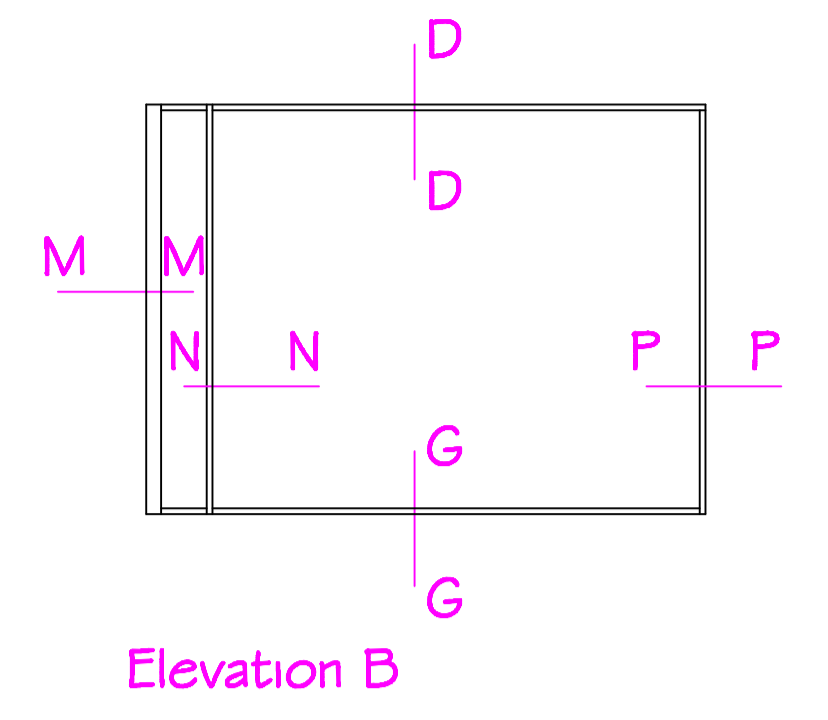
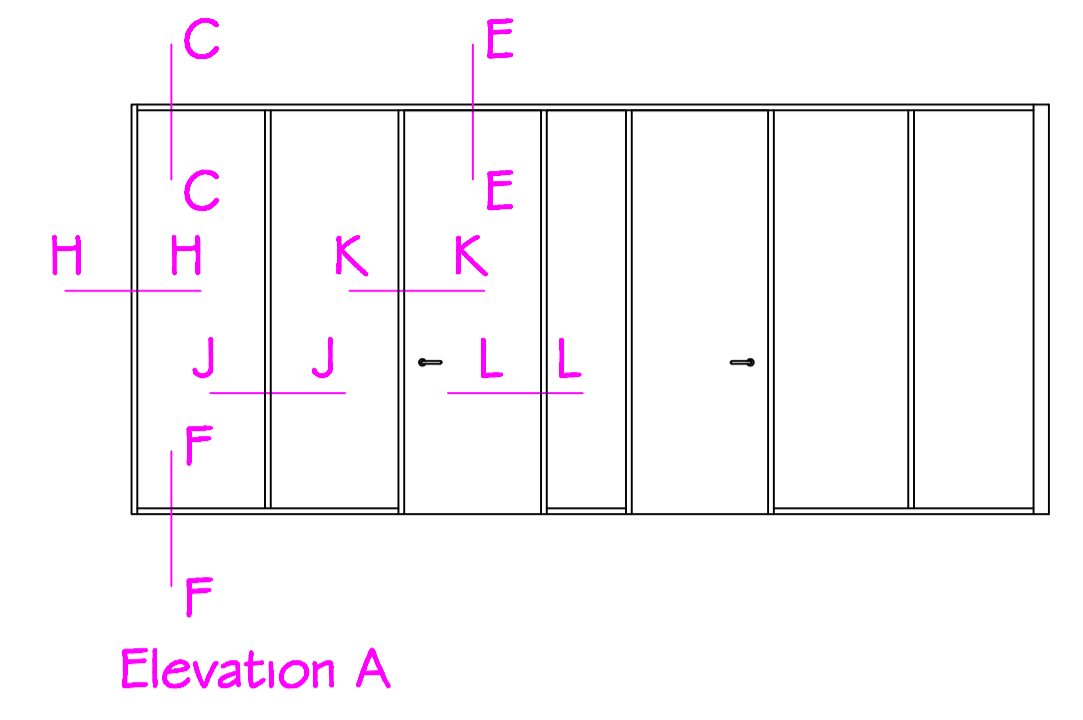
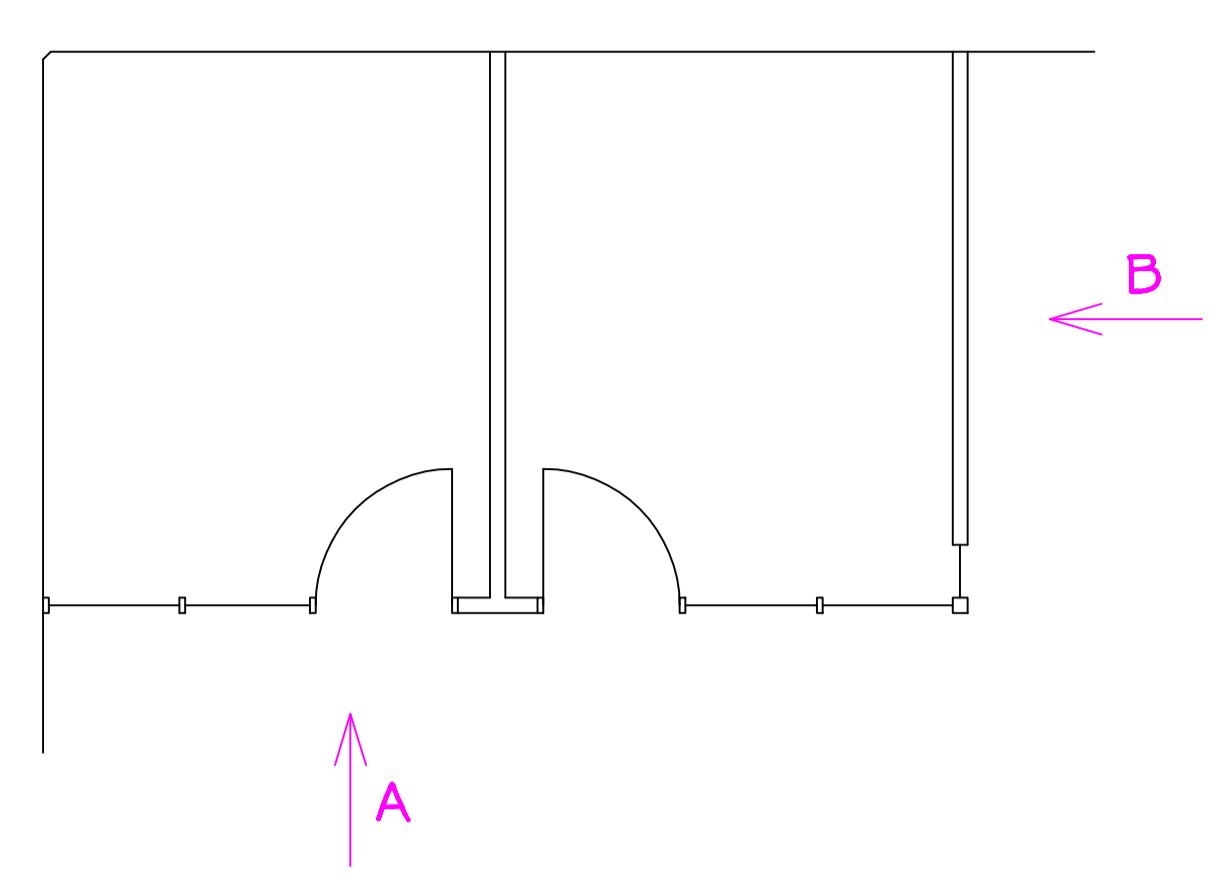
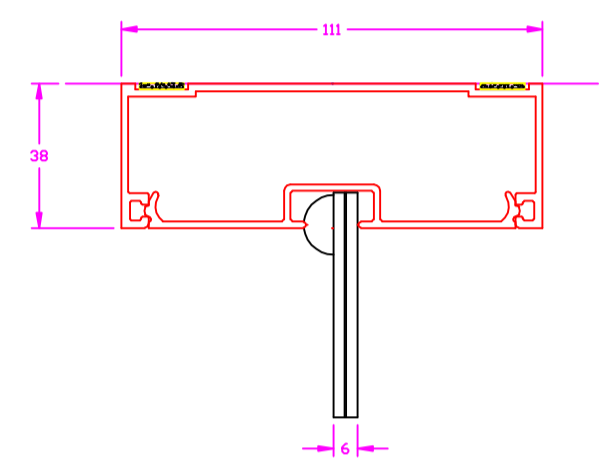


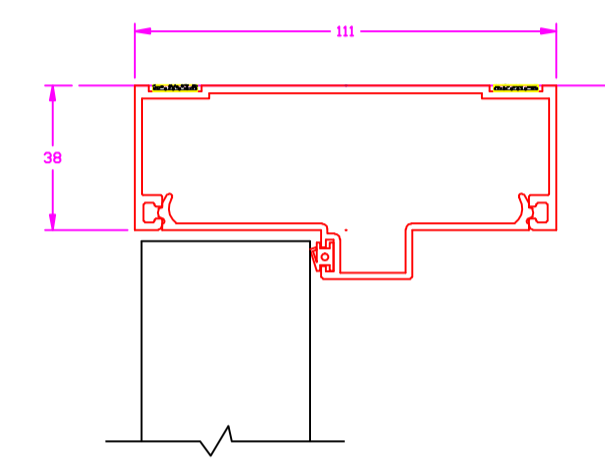
All dimensions in millimetres unless otherwise stated.
 The contractor must verify all dimensions on site before commencing on site.
 Architect must be notified of any suspected discrepancies or omissions.
 Any scaled dimensions to be confirmed by the Architect.



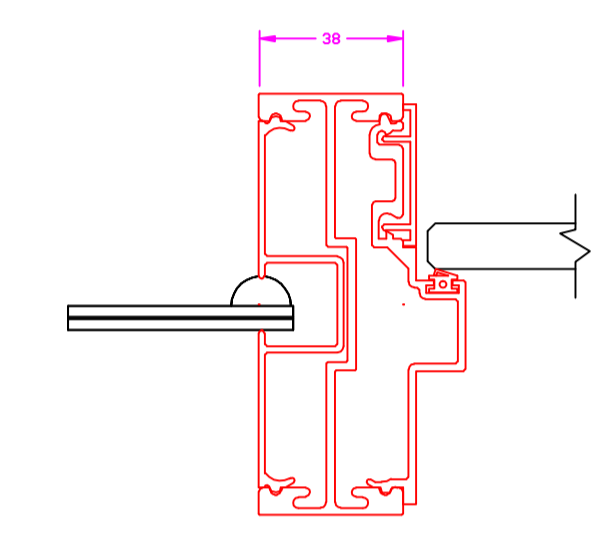
Section E-E
Glass Door Option



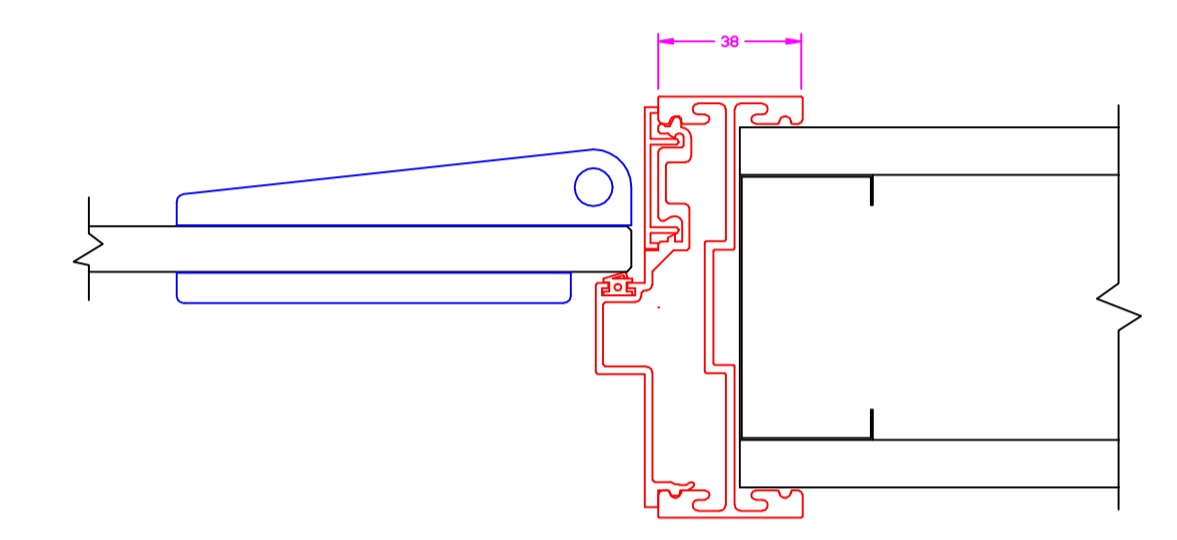
Section C-C



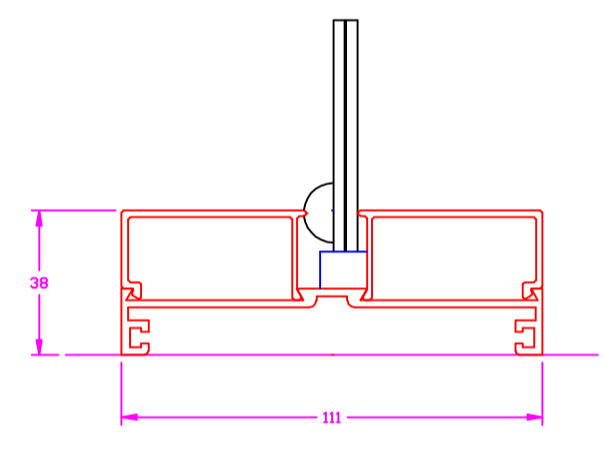
Section E-E
Timber Door Option



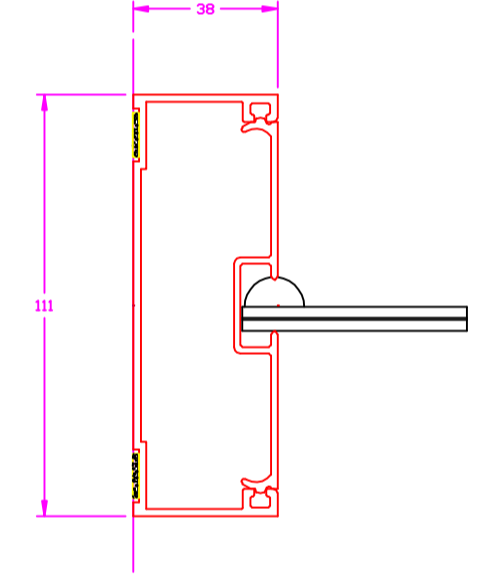
Section K-K
Glass Door Option



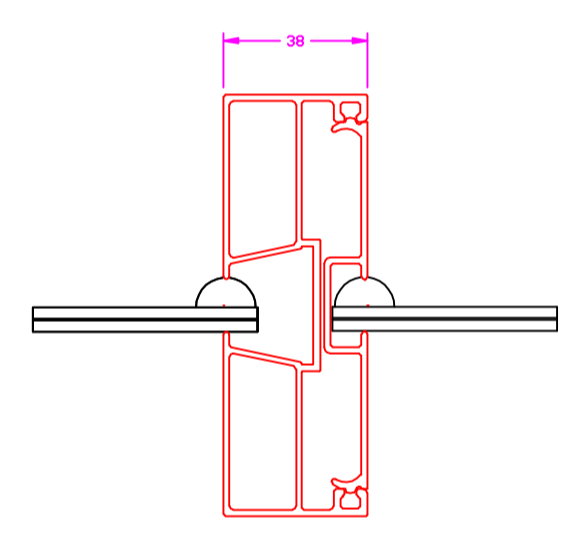
Section L-L
Glass Door Option



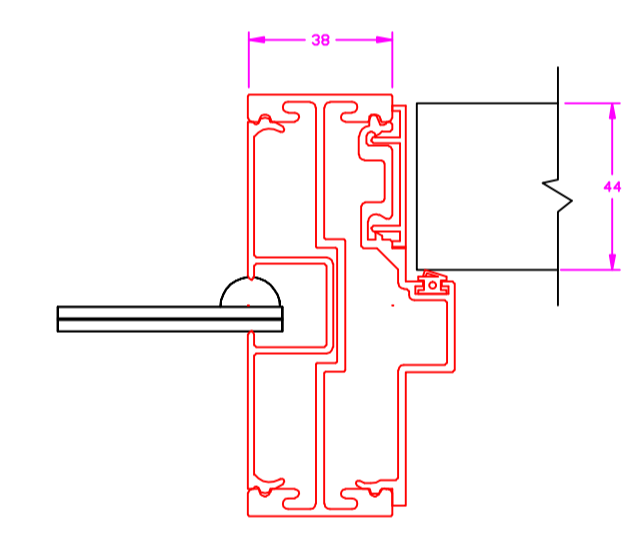
Section F-F



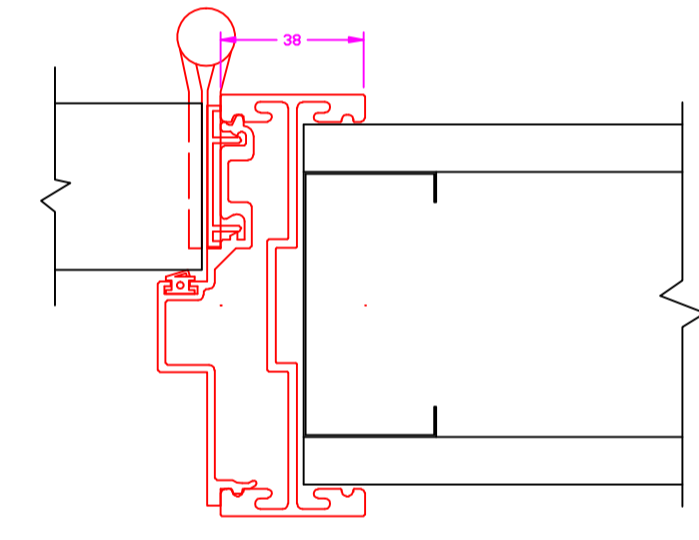
Section H-H



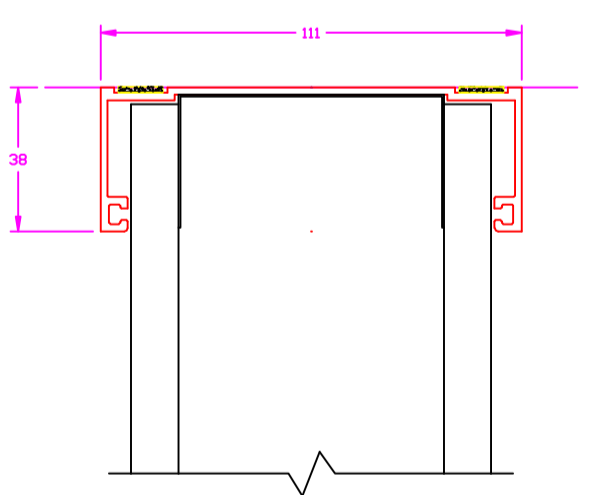
Section J-J



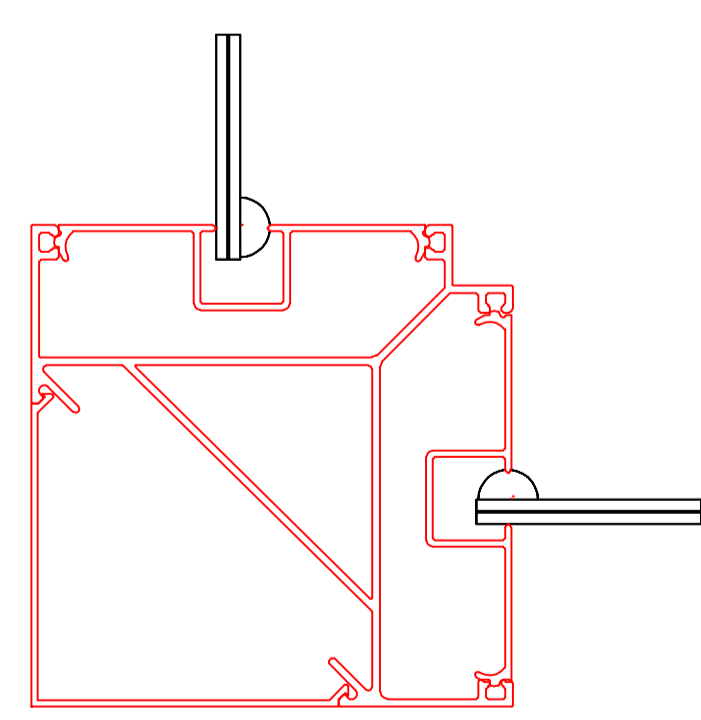
Section K-K
Timber Door Option



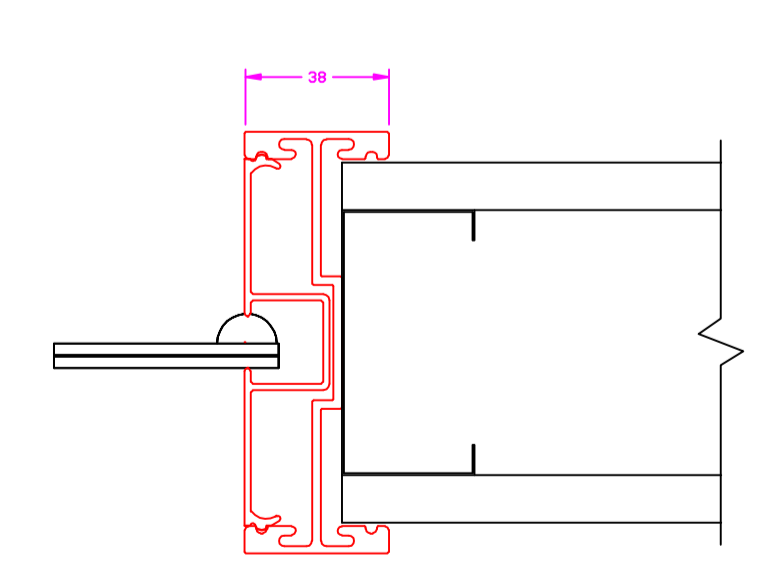
Section L-L
Timber Door Option



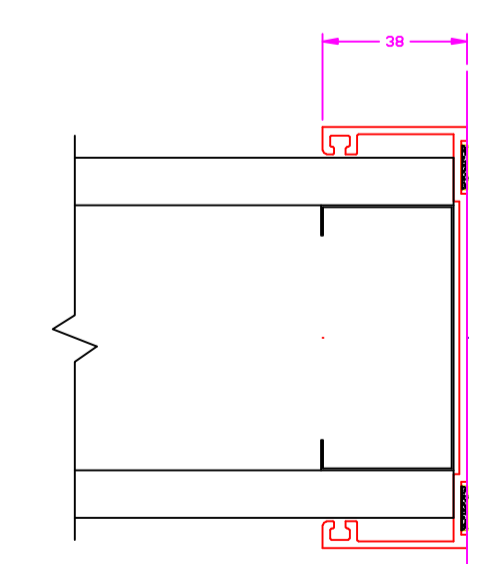
Section D-D



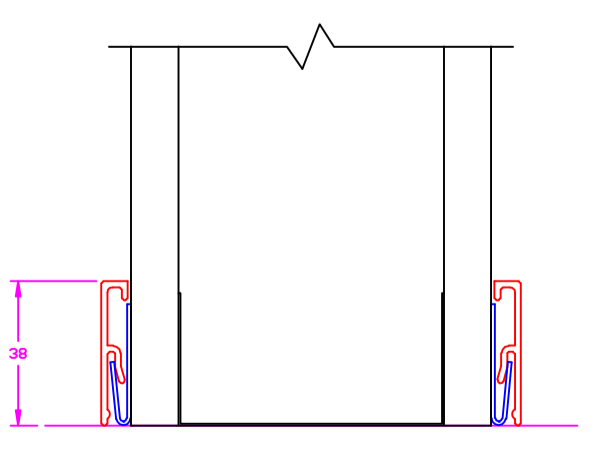
Section M-M



Section N-N



Section P-P
(Optional)



Section G-G

A	09.12.08			RELEASED FOR APPROVAL
Rev.	Date.	By	Ch'kd	Description.

Project
Single Glazed Standard Posts

Drawing Title
Drywall Solid & Door Frames

Scale	1:50, 1:20 A1	Date	09/12/08
Drawn by	D.SUTTON	Checked by	Approved by

iWALL WORKS

iWall Limited
 Unit 1, Cambridge Park, Broomfield, Essex, UK. Chelmsford, Essex S11 4BA
 T: +44 (0) 1264 425111 F: +44 (0) 1264 425112 E: enquiries@iwall.co.uk
 www.iwall.co.uk
 Registered Office: 21 Spig Street, Salford M6 6JY. Registered in England and Wales, Company No. 1270466

Dwg No.	1003-10	Rev.	A
---------	---------	------	---