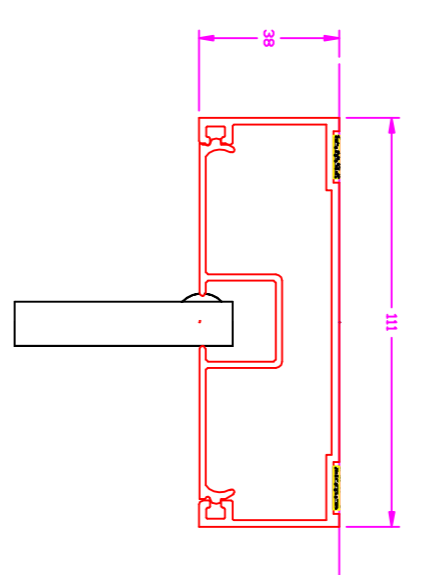
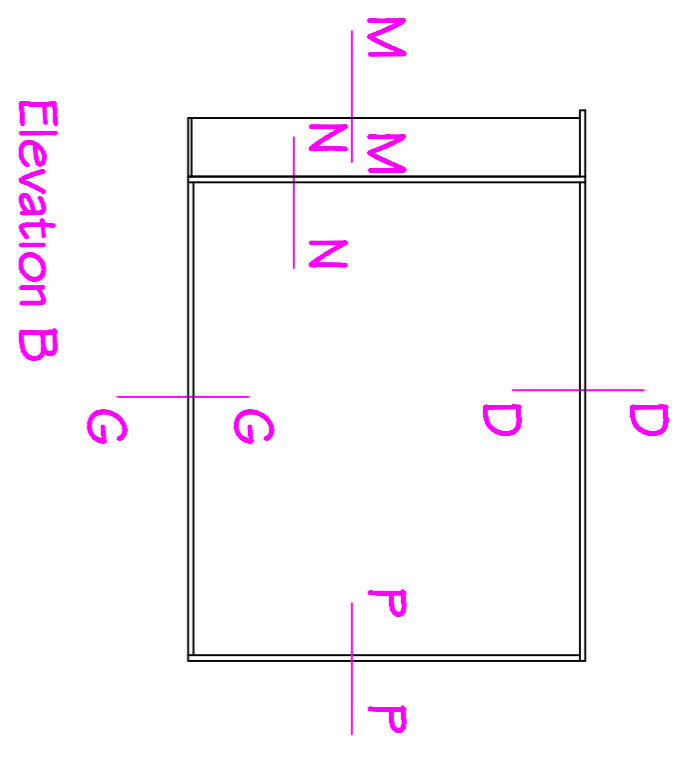
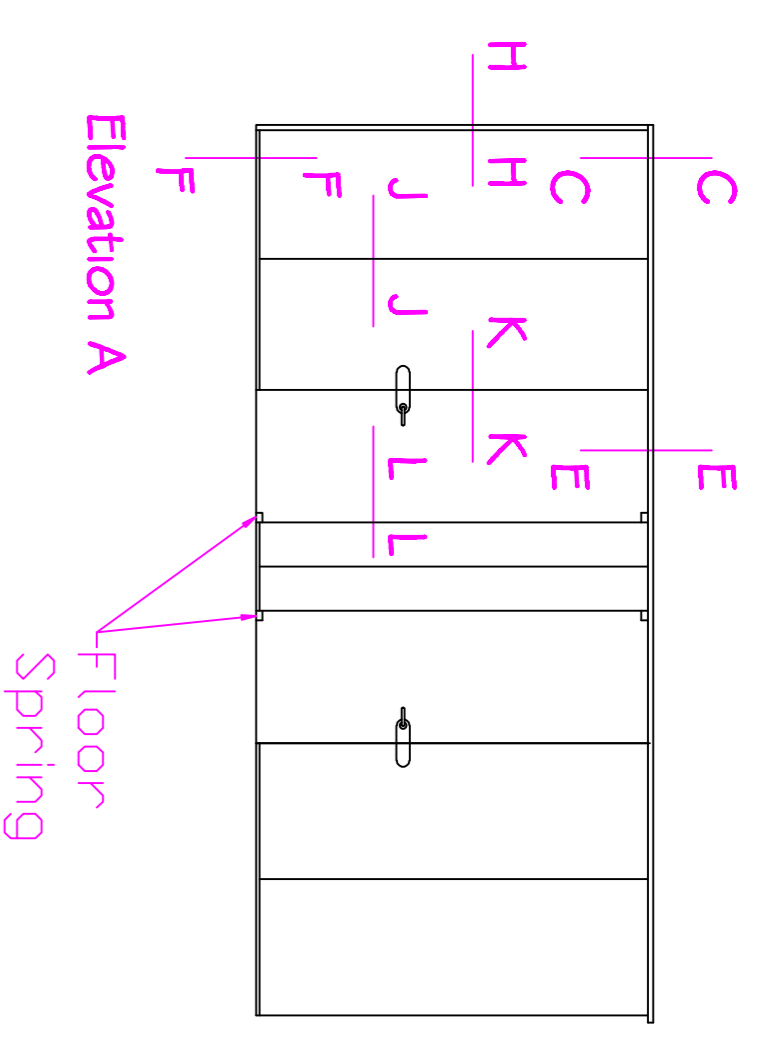
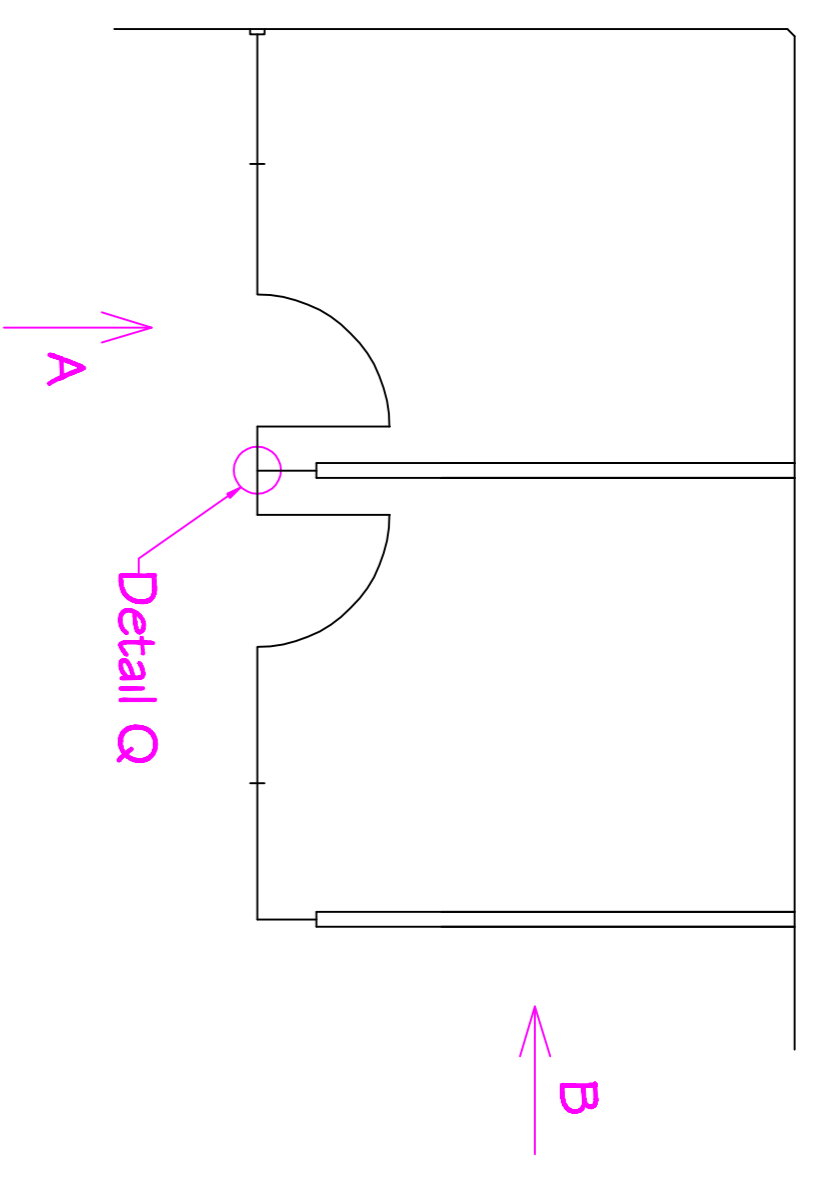
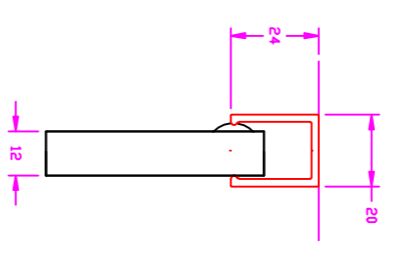


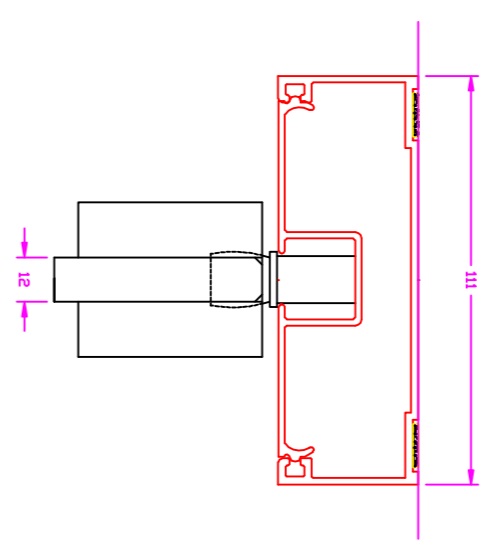
All dimensions in millimetres unless otherwise stated. The contractor must verify all dimensions on site before commencing on site. Architect must be notified of any suspected discrepancies on site. Any scaled dimensions to be confirmed by the Architect.



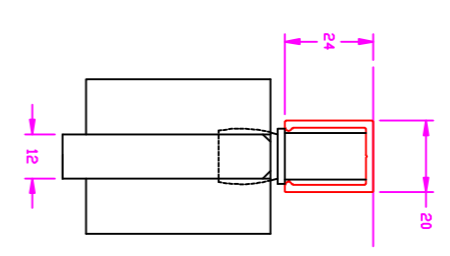
Section C-C



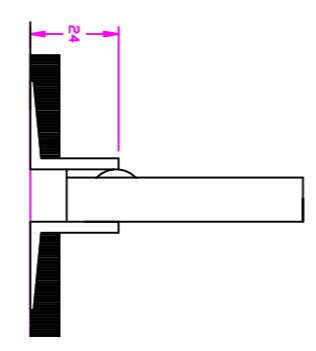
Section C-C Option



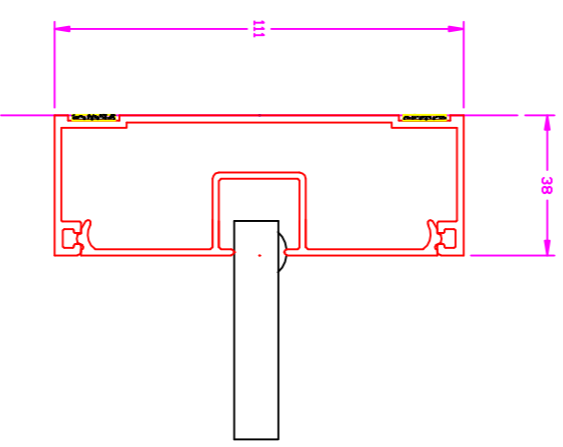
Section E-E



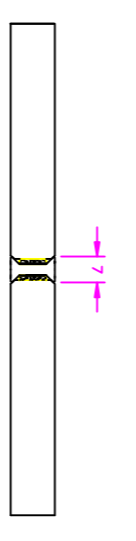
Section E-E Option



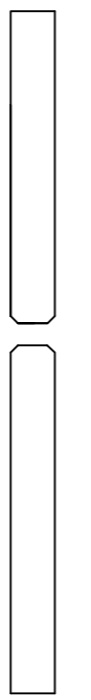
Section F-F



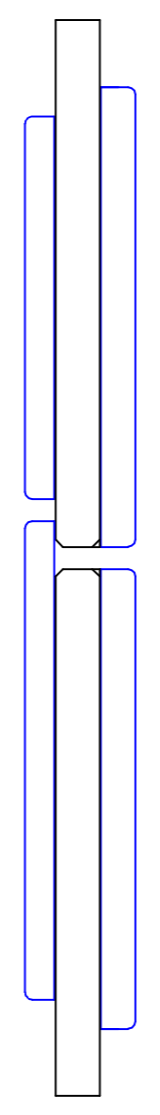
Section H-H



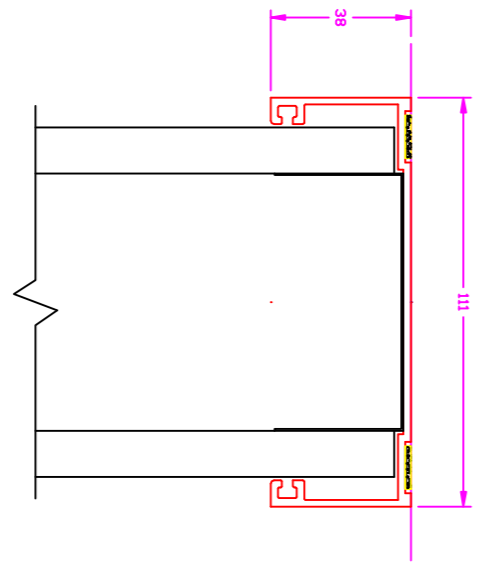
Section J-J



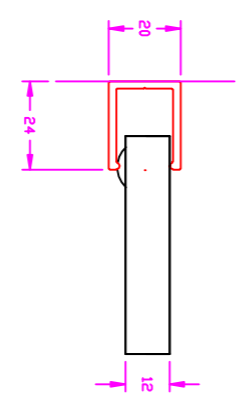
Section K-K



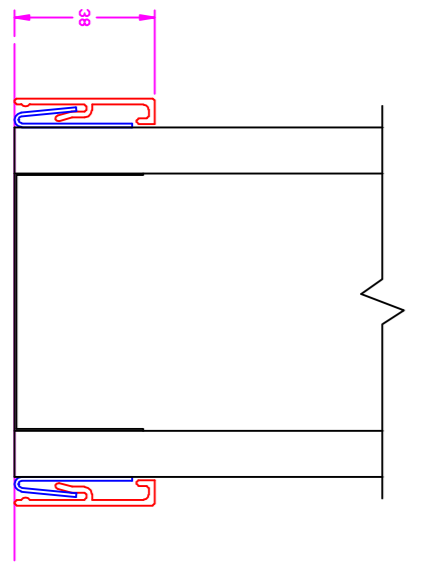
Section L-L



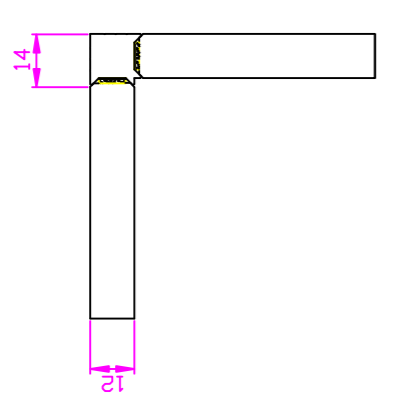
Section D-D



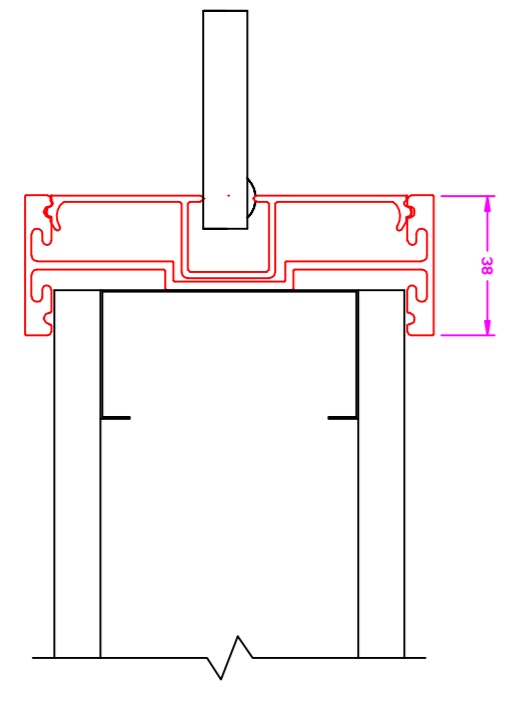
Section H-H Option



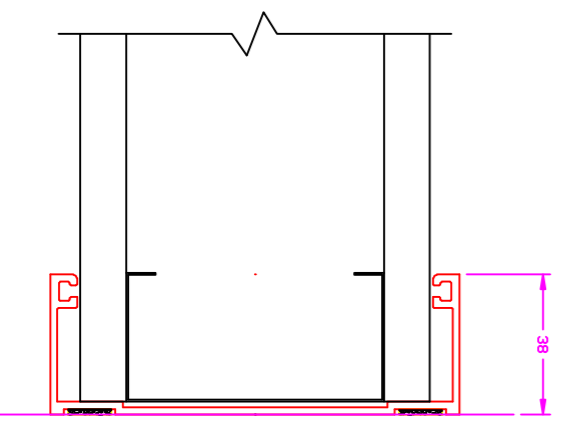
Section G-G



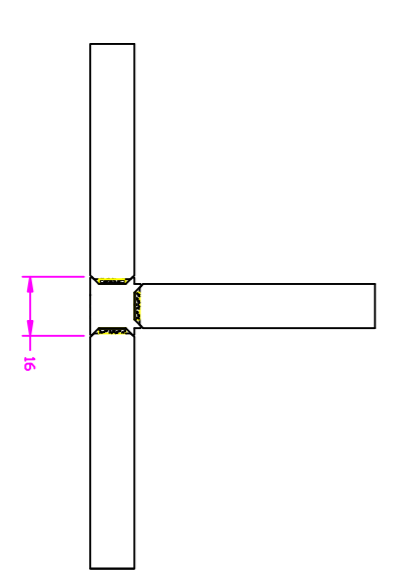
Section M-M



Section N-N



Section P-P



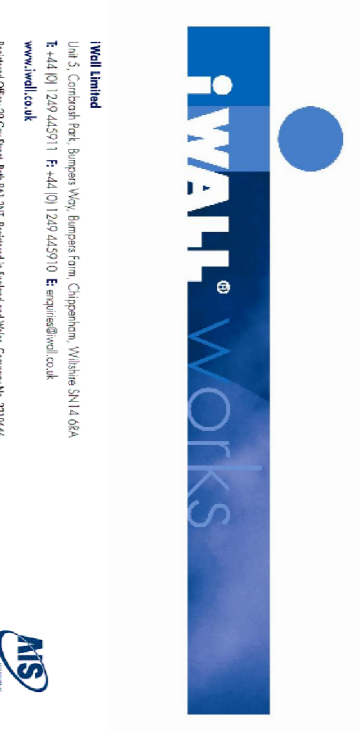
Detail Q

Rev.	Date	By	Chkd	Description
A	08.12.08			RELEASED FOR APPROVAL

Project
Single Glazed
Frameless

Drawing Title
Drywall Solid
without Door Frames

Scale 1:50(1:20x1)
Date 08/12/08
Drawn by D.SUTTON
Checked by
Approved by
Drawing Status



Dwg No. 1003-8
Rev. A