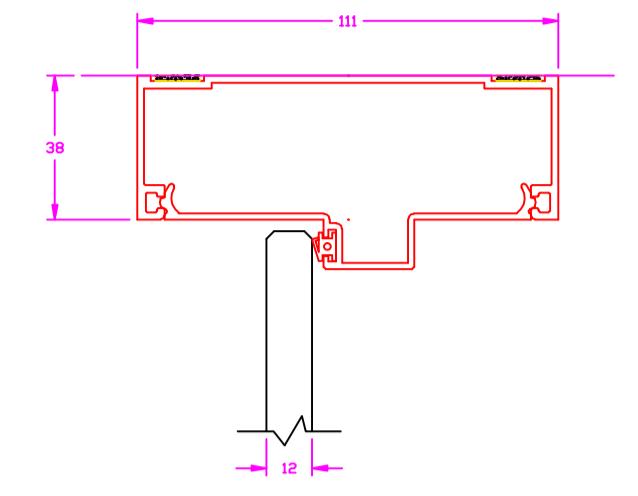
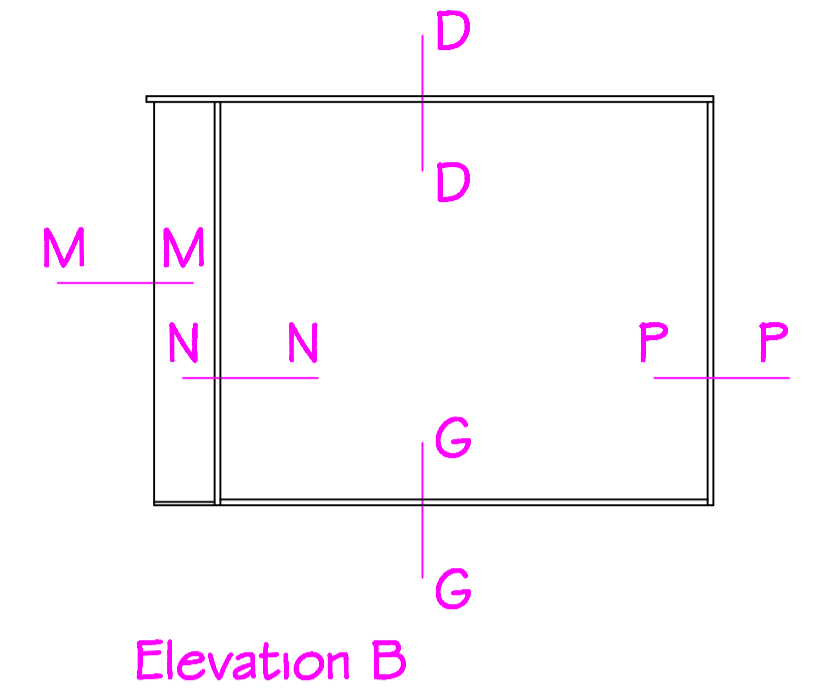
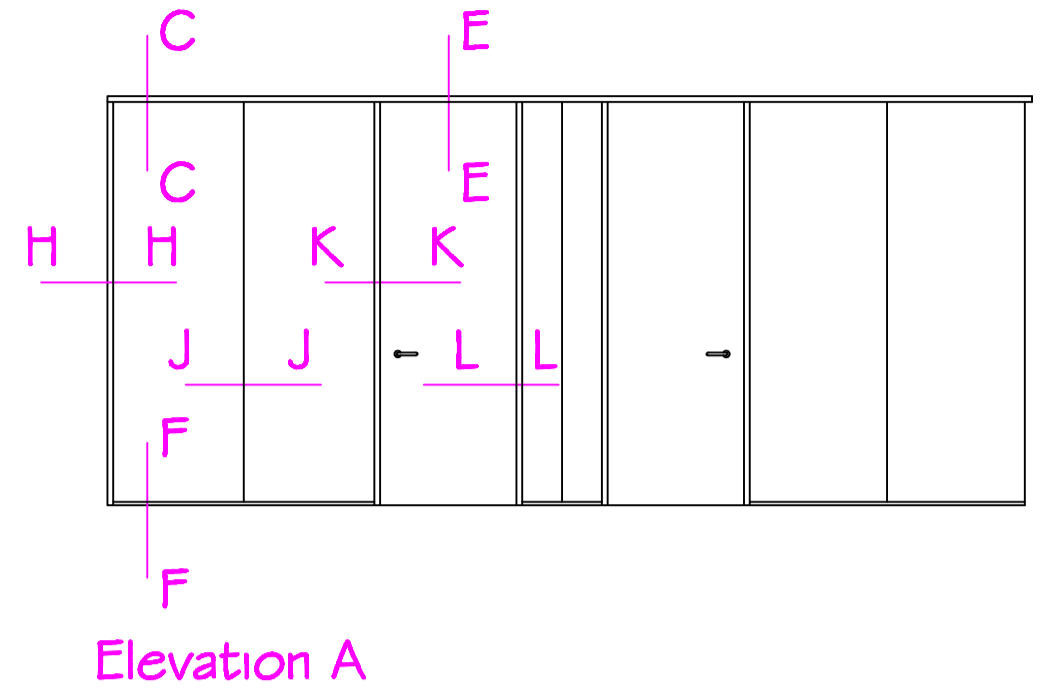
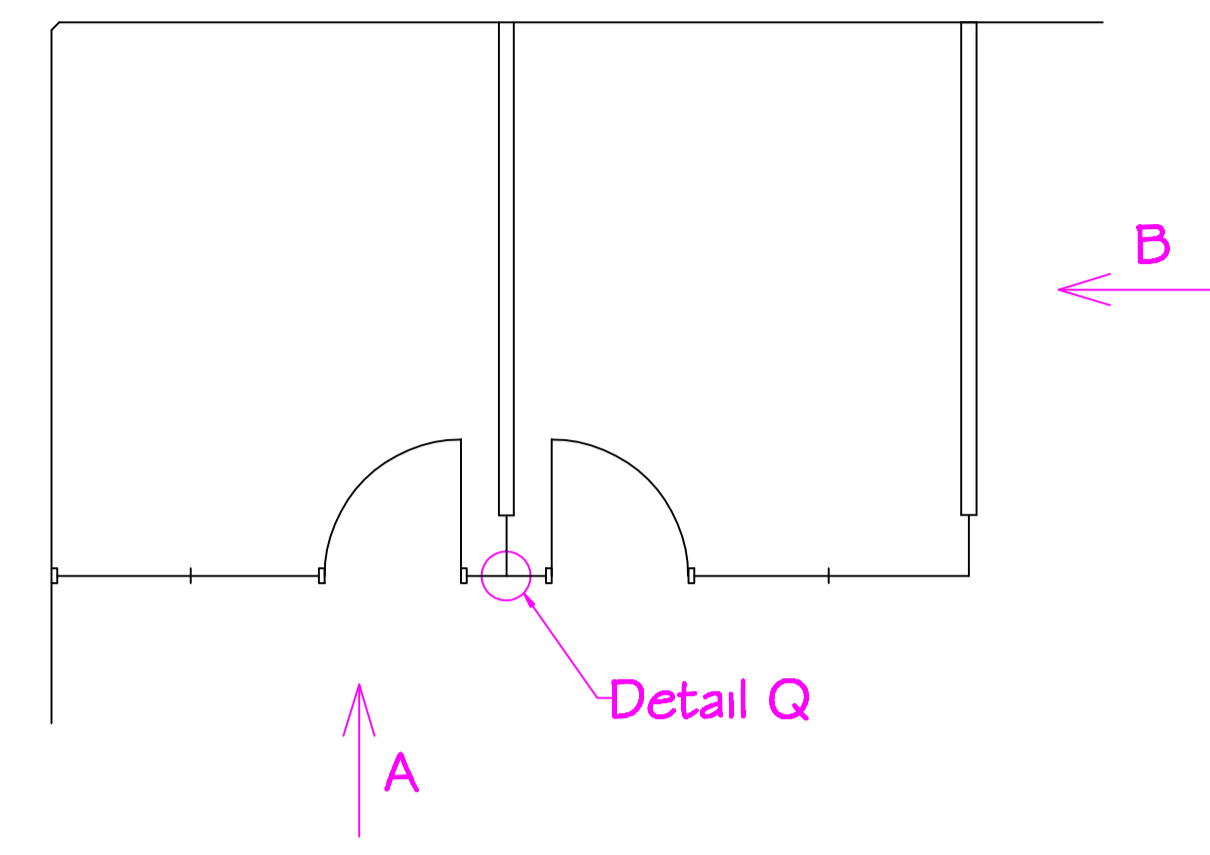
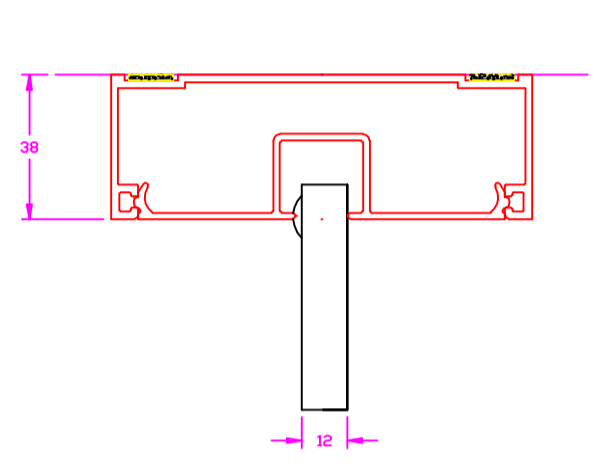


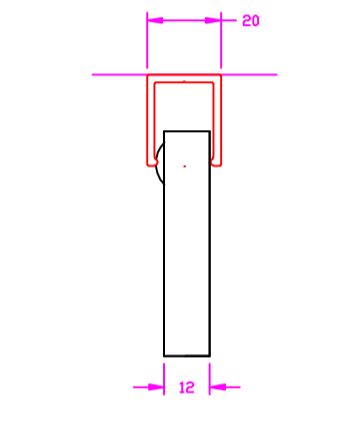
All dimensions in millimetres unless otherwise stated.  
 The contractor must verify all dimensions on site before commencing on site.  
 Architect must be notified of any suspected discrepancies or omissions.  
 Any scaled dimensions to be confirmed by the Architect.



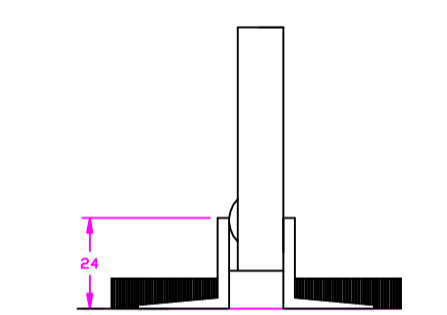
Section E-E  
Glass Door Option



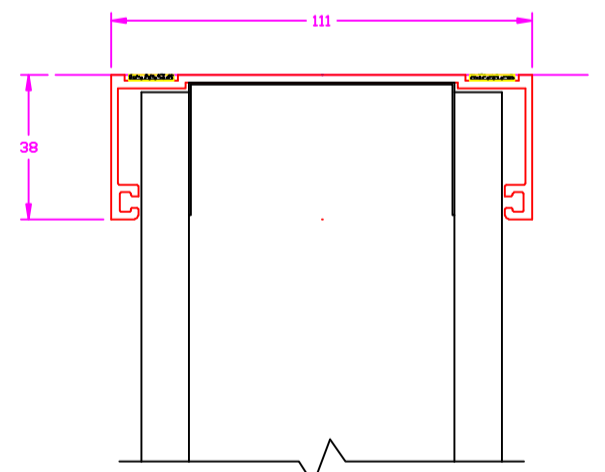
Section C-C



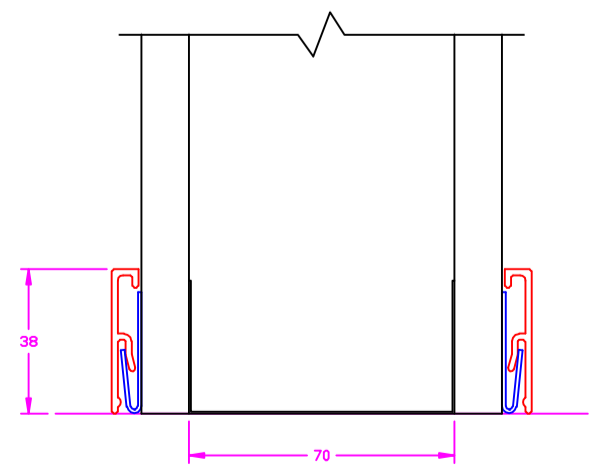
Section C-C  
Option  
24mm /38mm



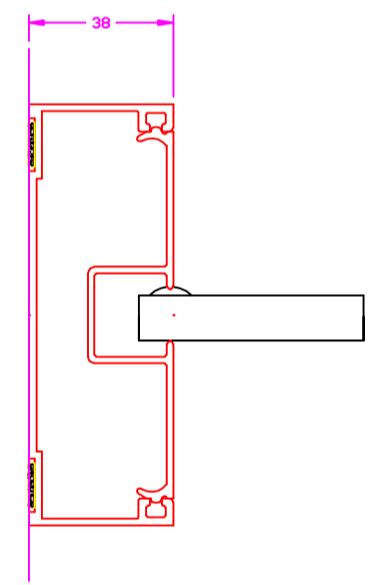
Section F-F



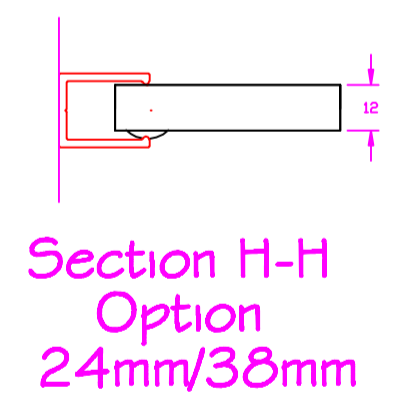
Section D-D



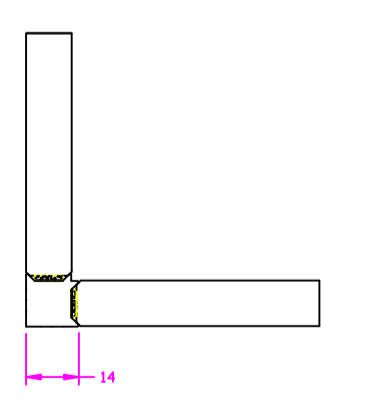
Section G-G



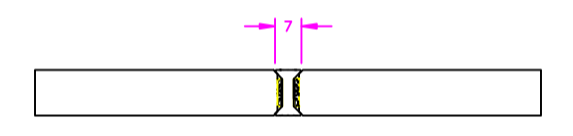
Section H-H



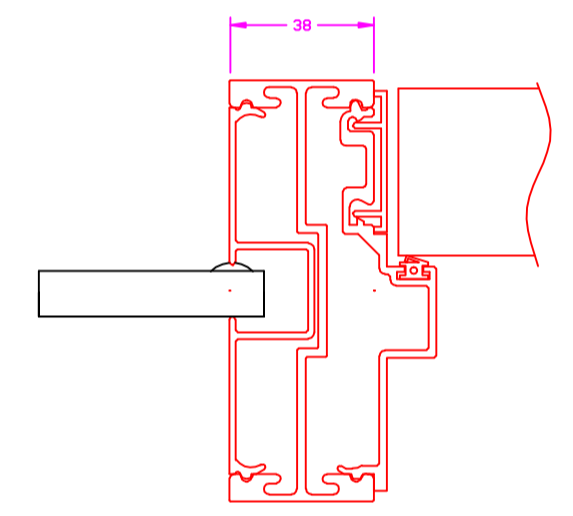
Section H-H  
Option  
24mm/38mm



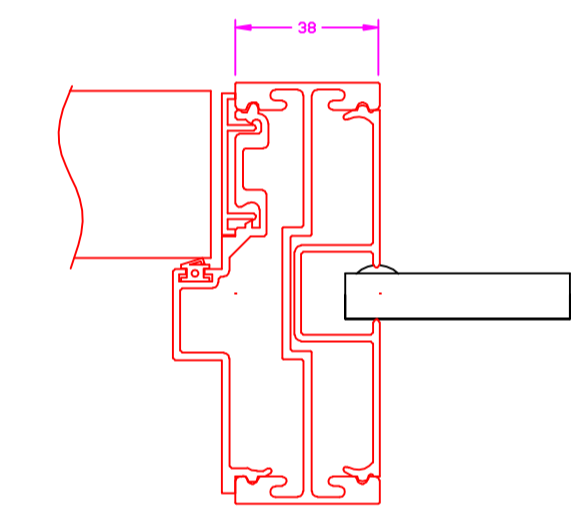
Section M-M



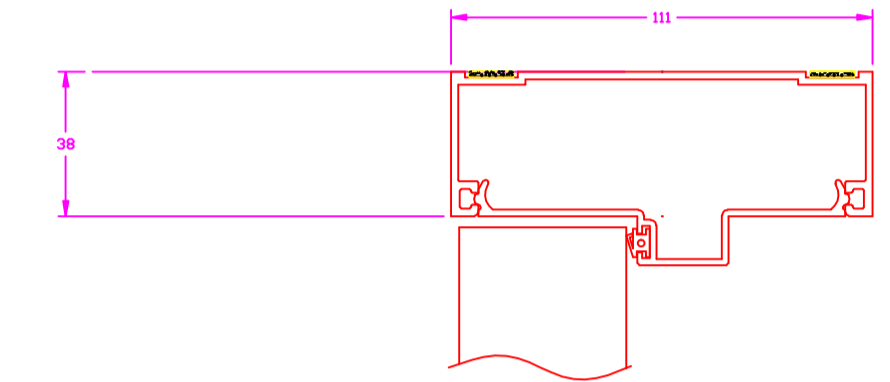
Section J-J



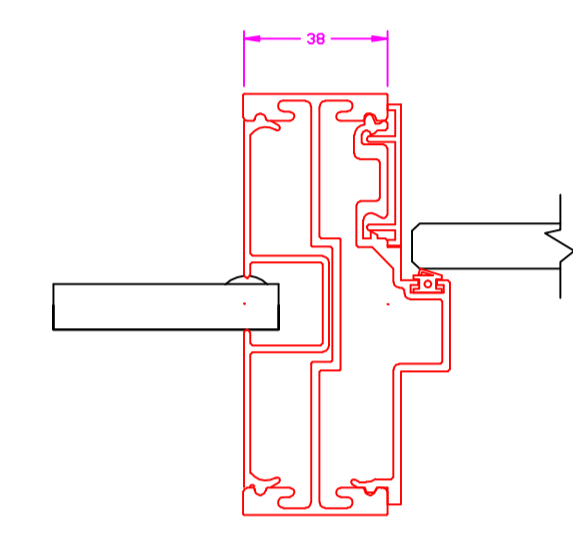
Section K-K



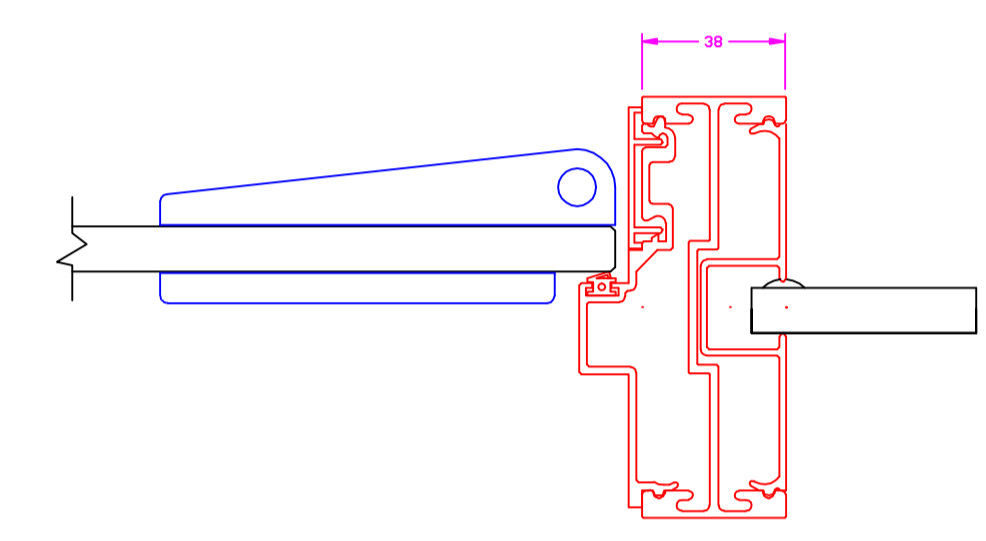
Section L-L



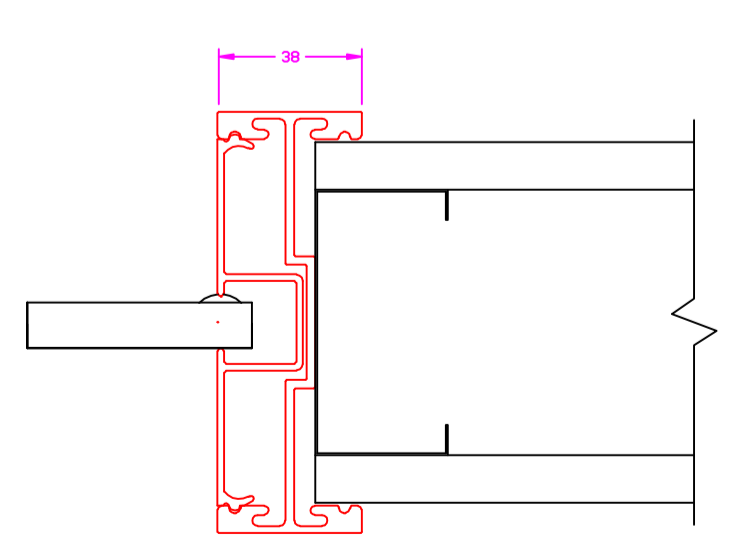
Section E-E



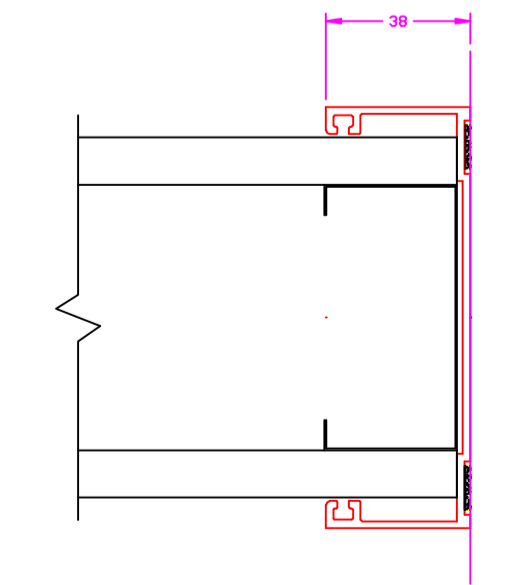
Section K-K  
Glass Door Option



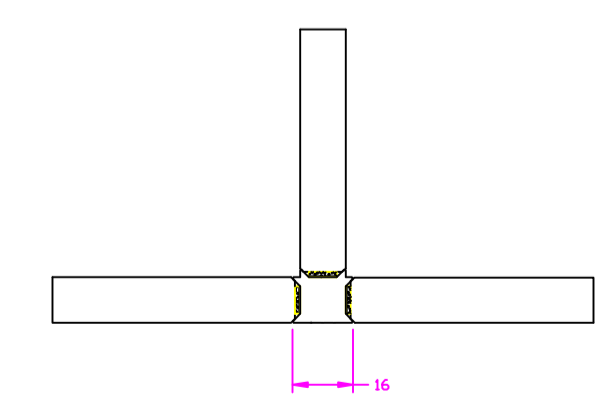
Section L-L  
Glass Door Option



Section N-N



Section P-P  
(Optional)



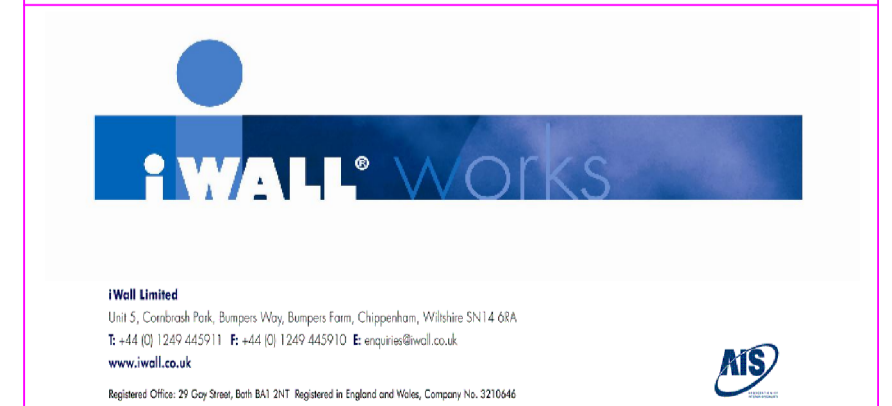
Detail Q

A	08.12.08	RELEASED FOR APPROVAL
Rev.	Date.	By Ch'kd Description.

Project  
Single Glazed Frameless

Drawing Title  
Drywall Single Skin Solid & Door Frames

Scale	1:50, 1:2@A1	Date	08/12/08
Drawn by	D.SUTTON	Checked by	Approved by



Dwg No.	1003-2	Rev.	A
---------	--------	------	---