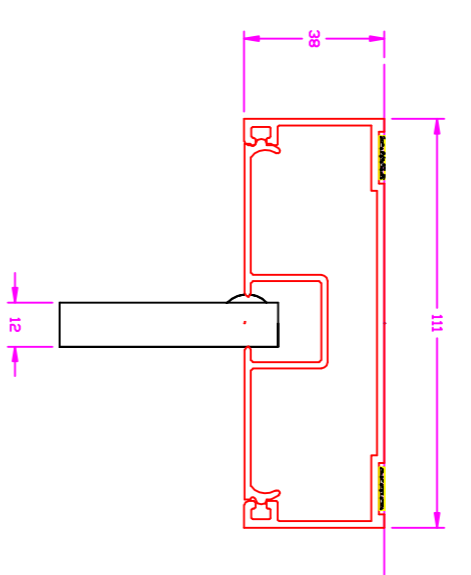
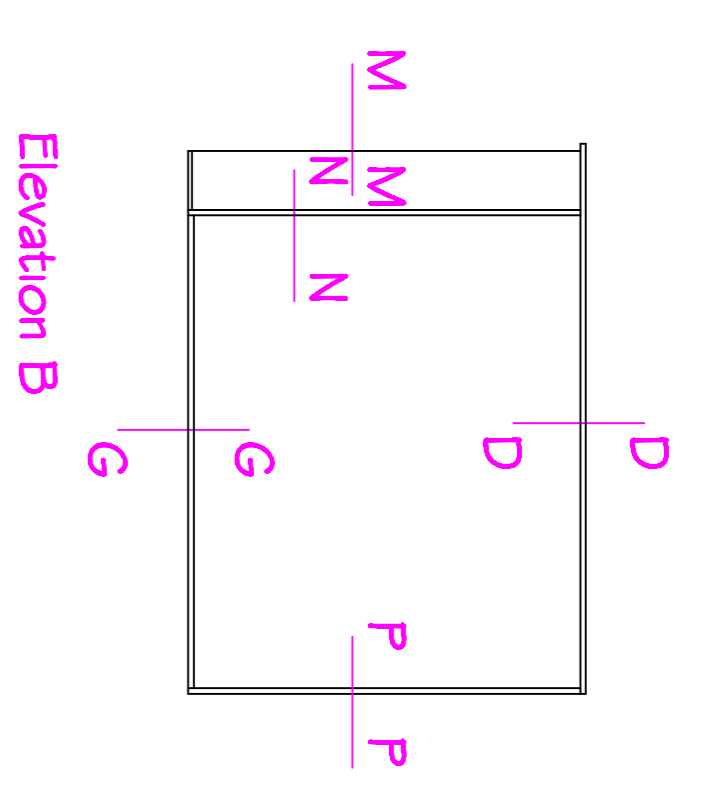
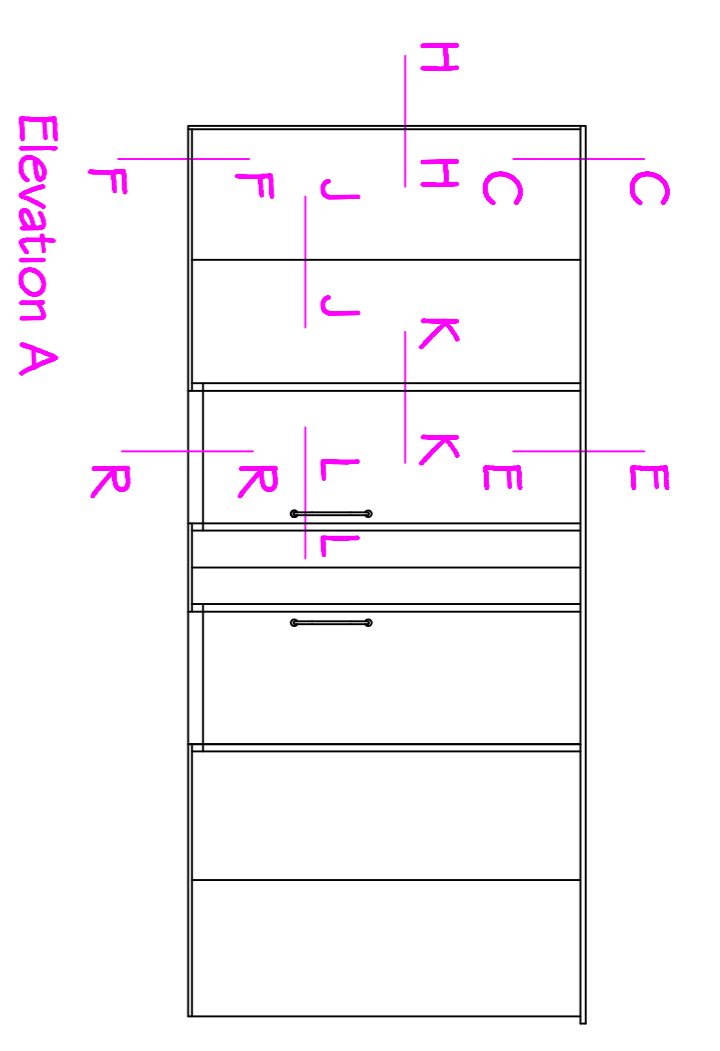
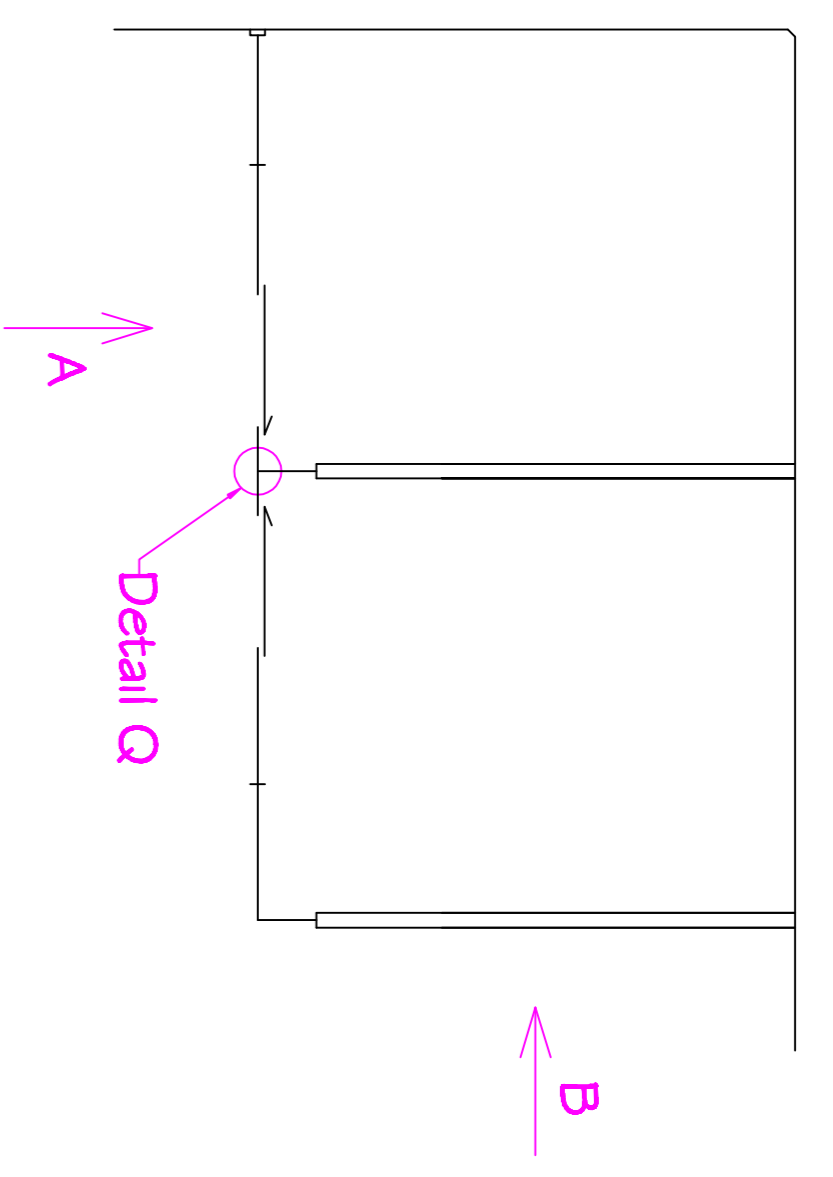
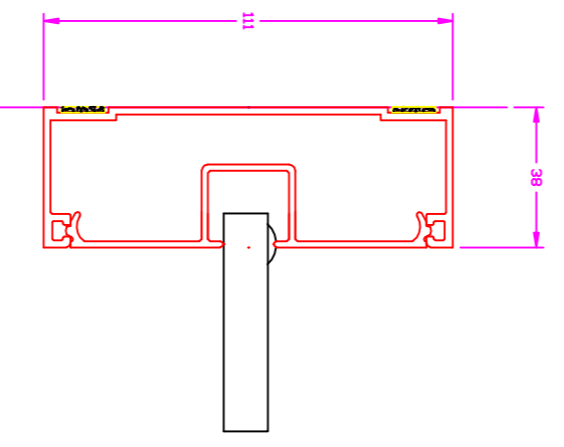


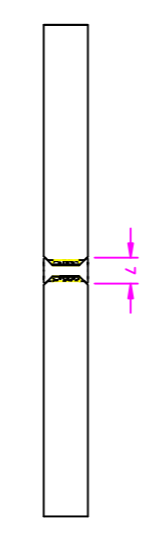
All dimensions in millimetres unless otherwise stated. The contractor must verify all dimensions on site before commencing on site. Architect must be notified of any suspected discrepancies on site. Any scaled dimensions to be confirmed by the Architect.



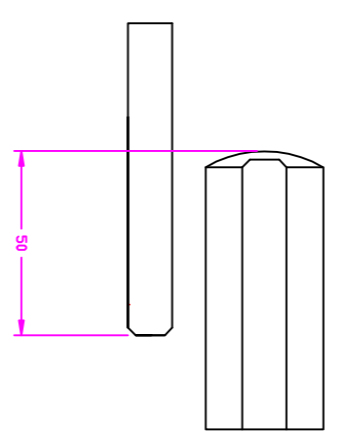
Section C-C



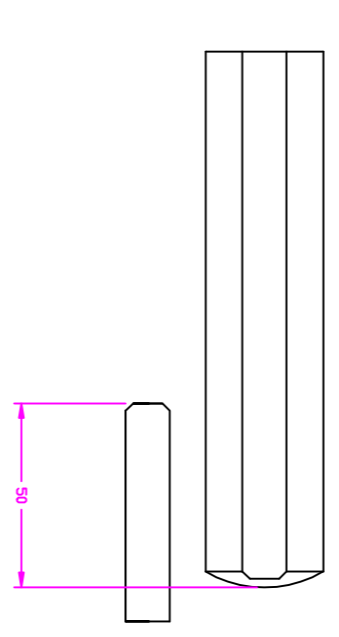
Section H-H



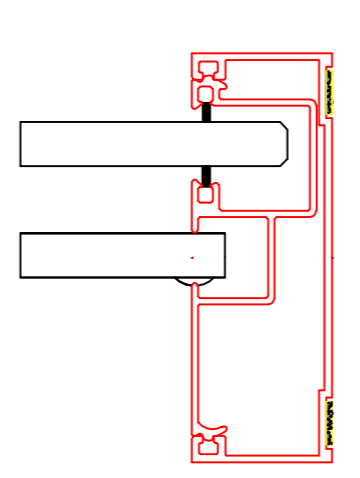
Section J-J



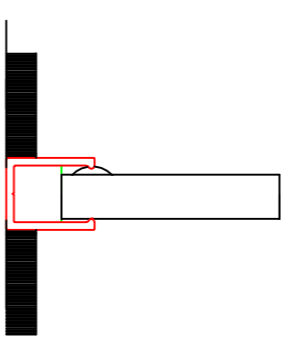
Section K-K



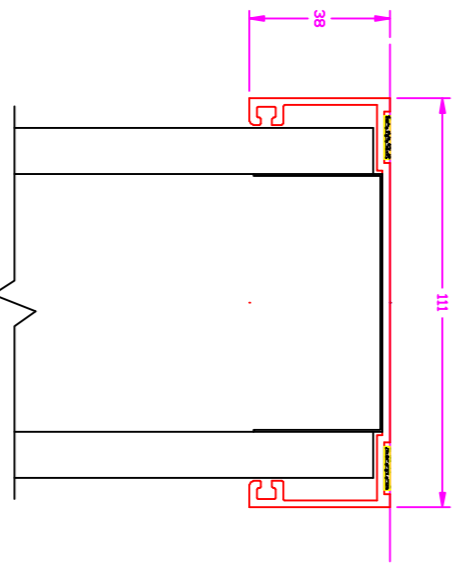
Section L-L



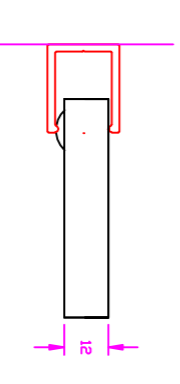
Section E-E



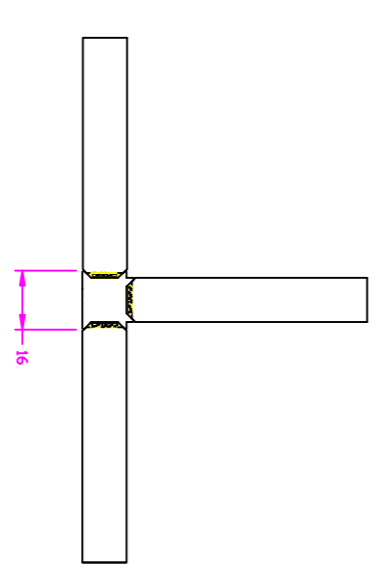
Section F-F



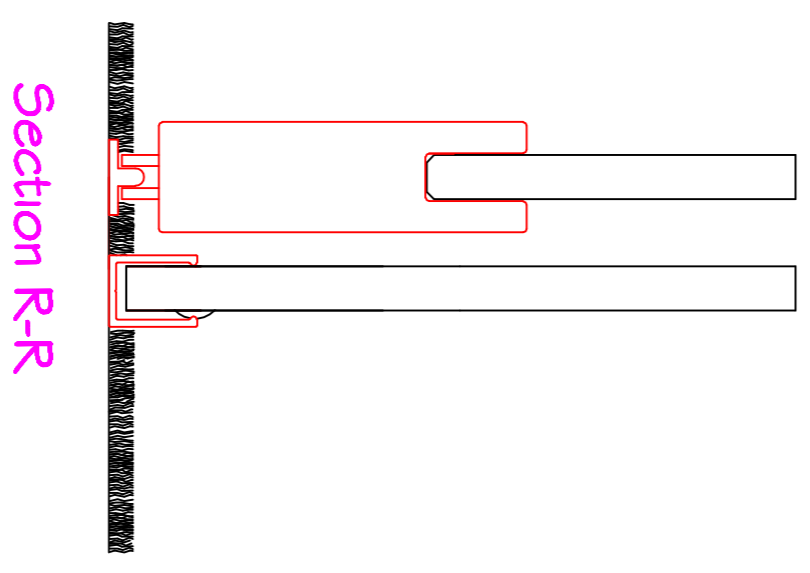
Section D-D



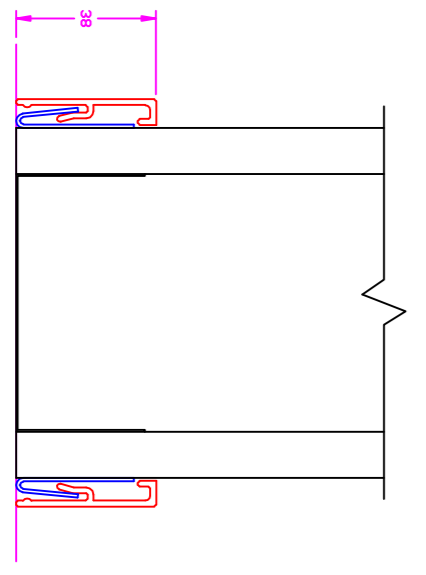
Section H-H
Option
24mm/38mm



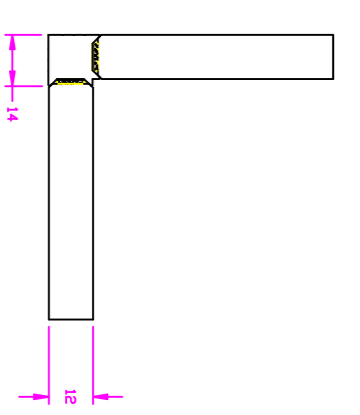
Detail Q



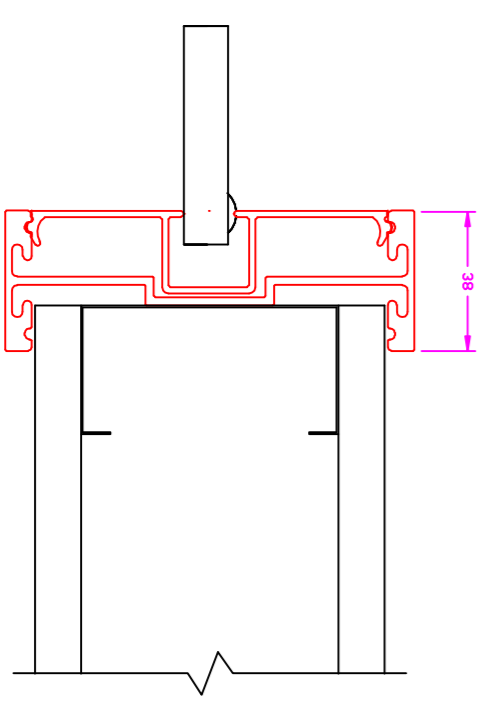
Section R-R



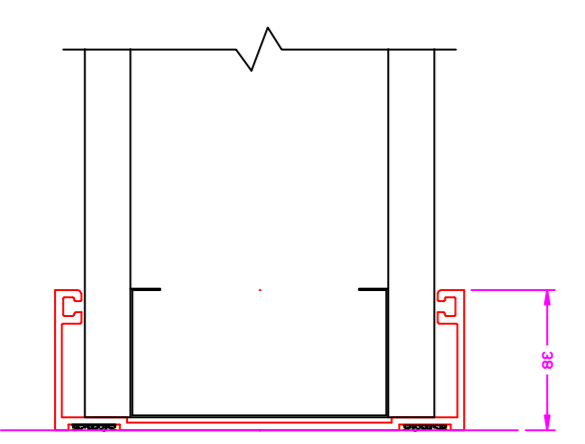
Section G-G



Section M-M

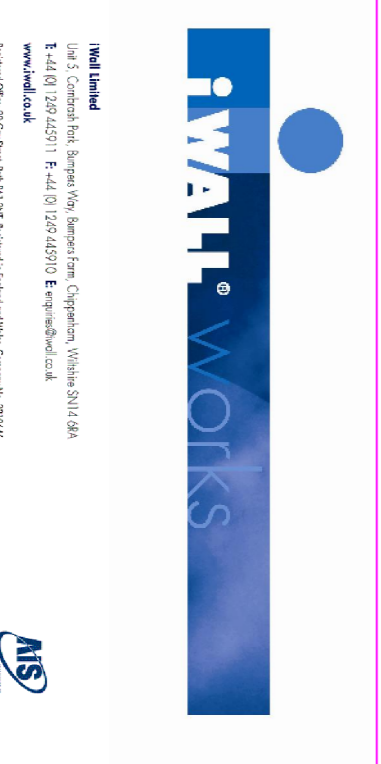


Section N-N



Section P-P

Project	Single Glazing Frameless & Sliding Door		
Drawing Title	Drywall Solid & Sliding Door		
Scale	1:50;1:20A1	Date	08/12/08
Drawn by	D.SUTTON	Checked by	Approved by
Drawing Status	Released for Approval		
Rev.	Date	By	Chkd/Description
A	08/12/08		RELEASED FOR APPROVAL



Dwg No.	1003-7	Rev.	A
---------	--------	------	---