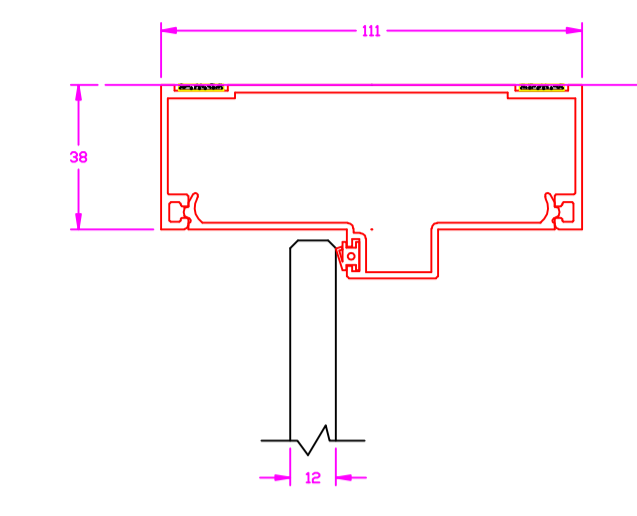
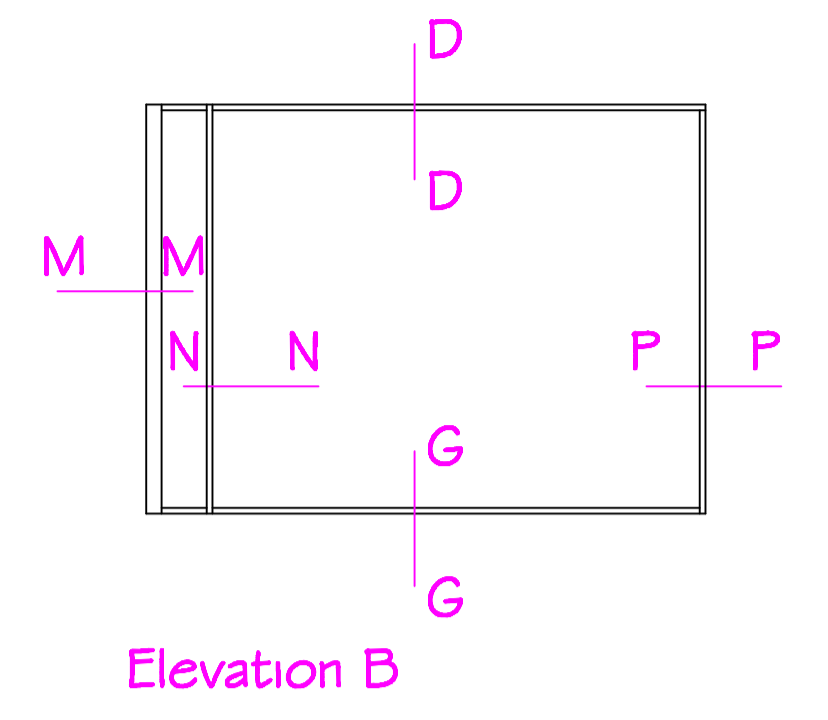
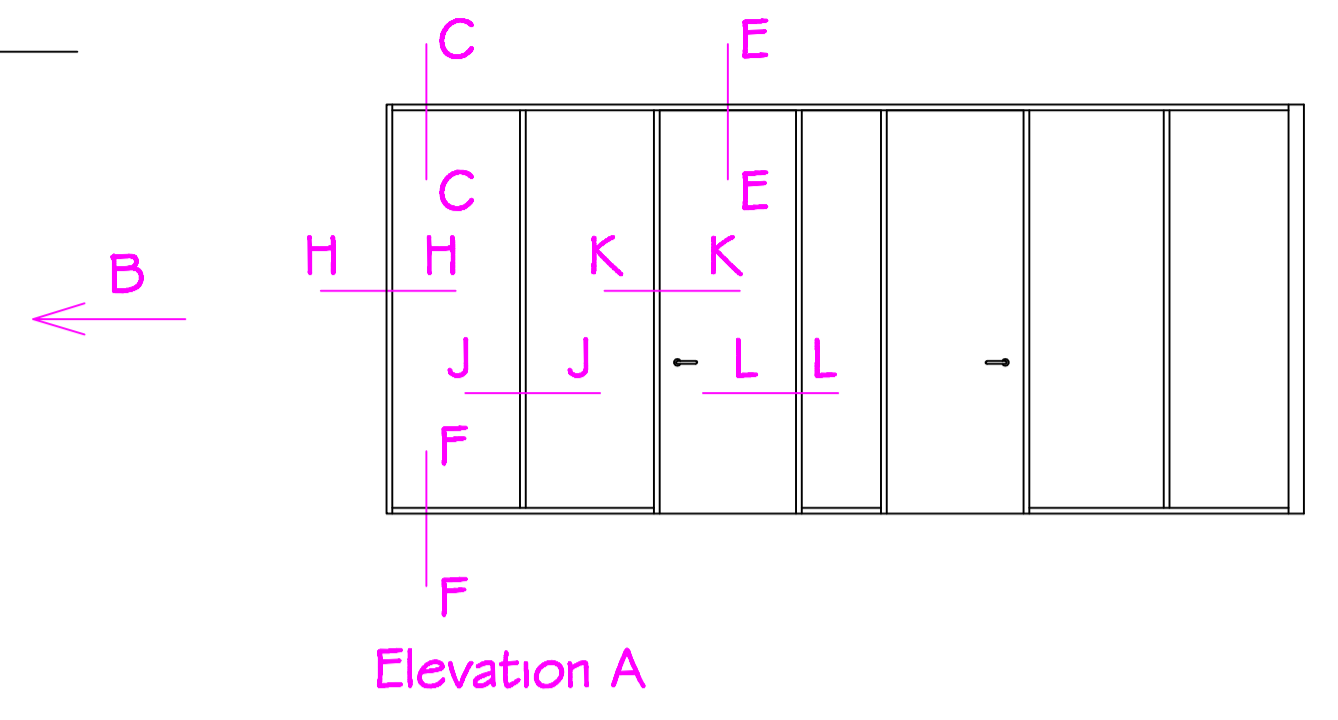
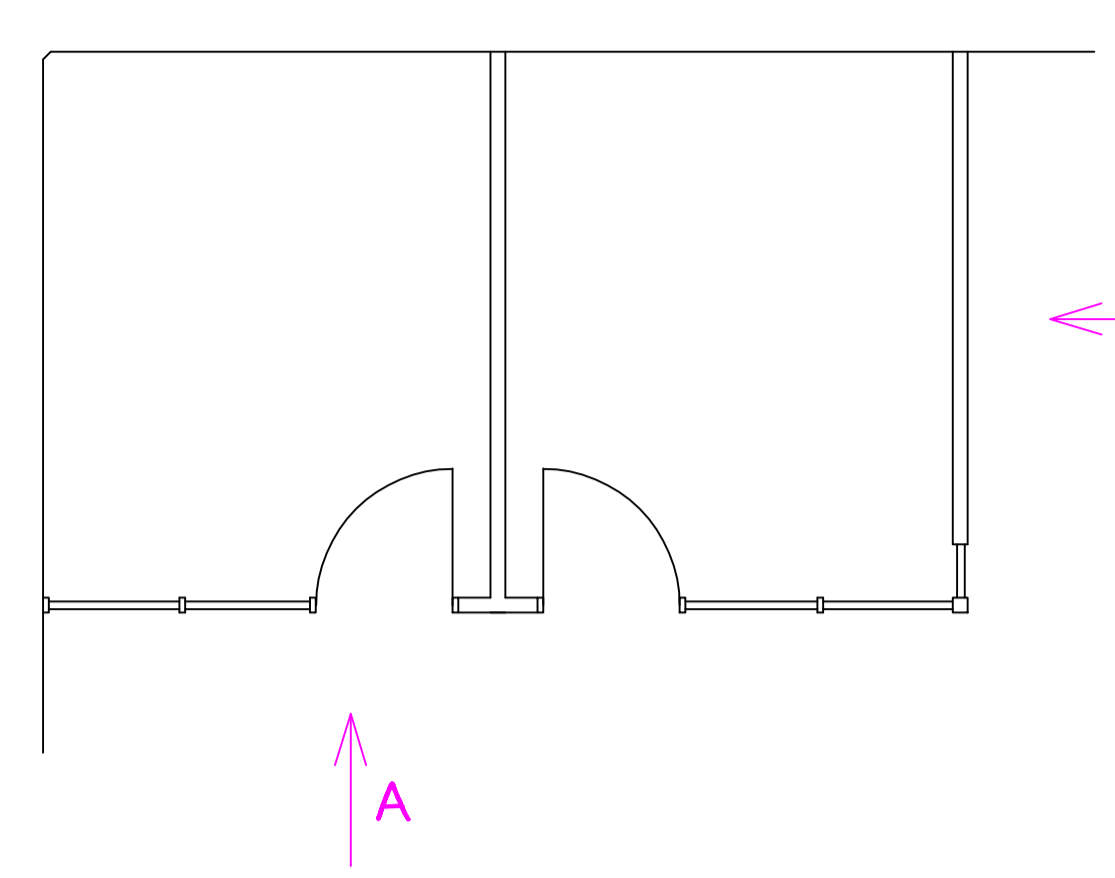
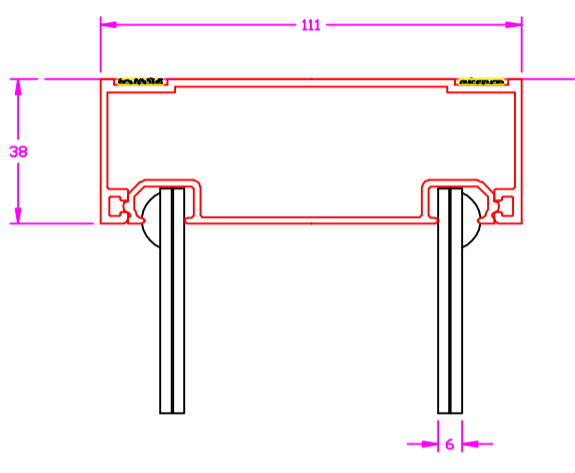


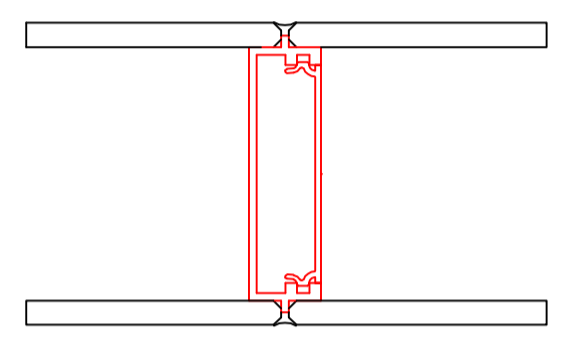
All dimensions in millimetres unless otherwise stated.
 The contractor must verify all dimensions on site before commencing on site.
 Architect must be notified of any suspected discrepancies or omissions.
 Any scaled dimensions to be confirmed by the Architect.



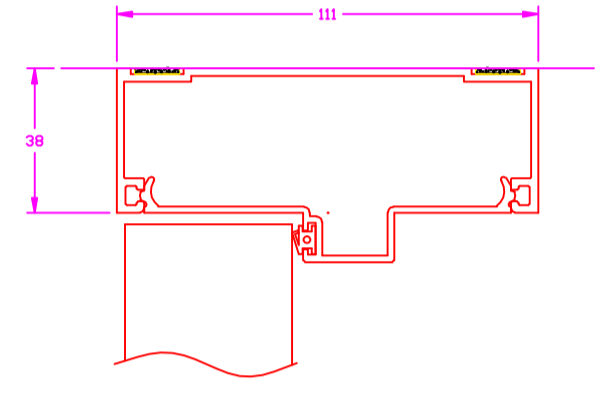
Section E-E
Glass Door Option



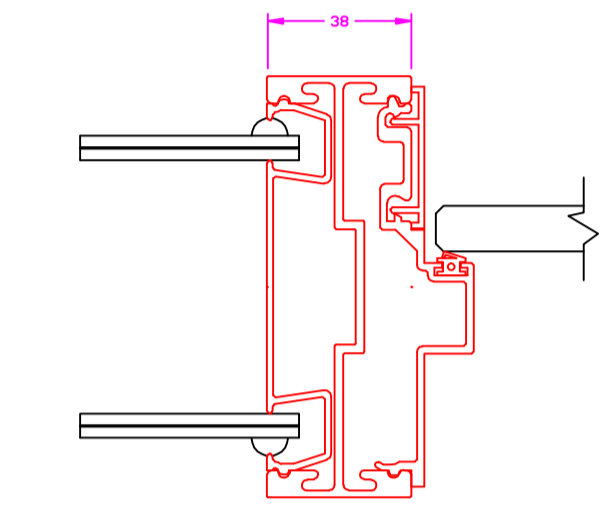
Section C-C



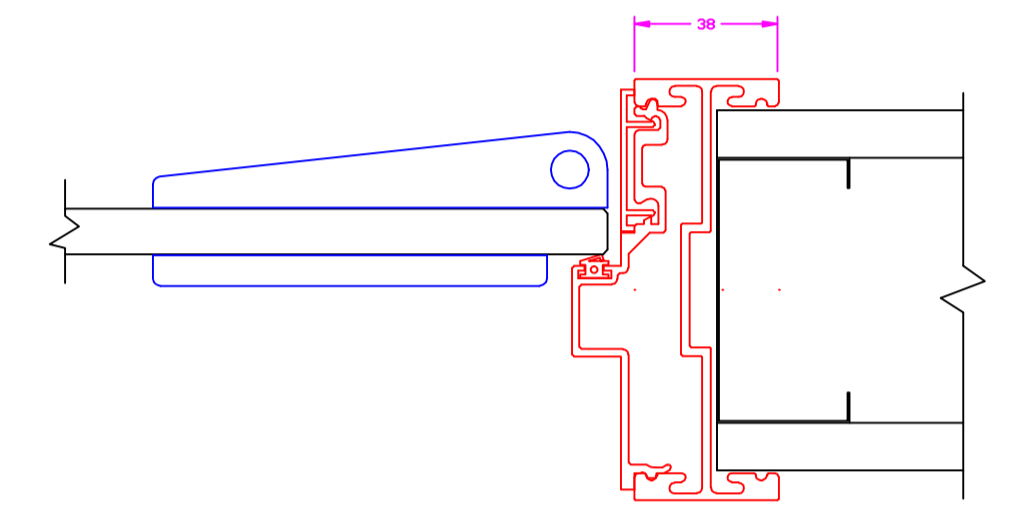
Section J-J
Vision Wall Option



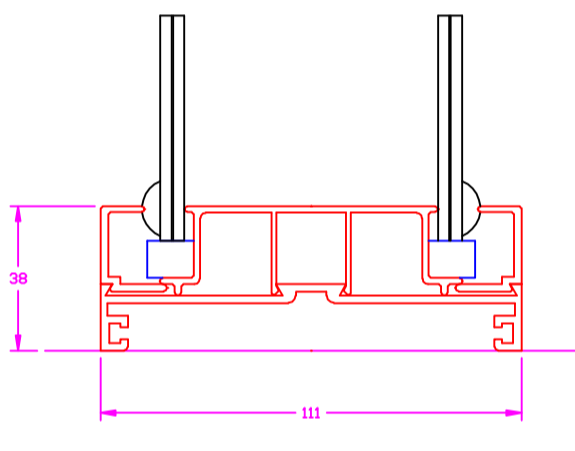
Section E-E



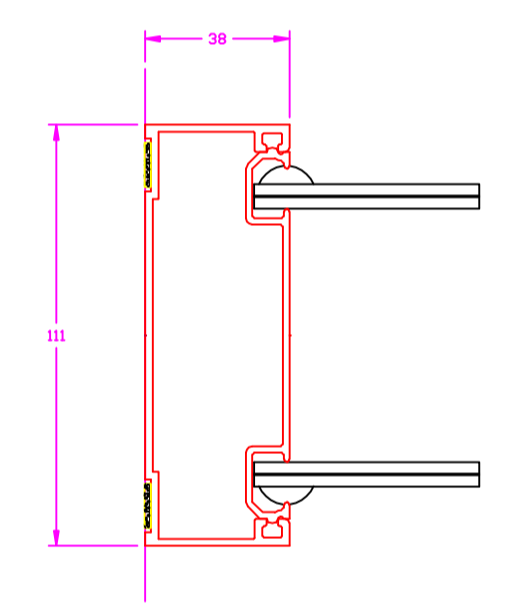
Section K-K
Glass Door Option



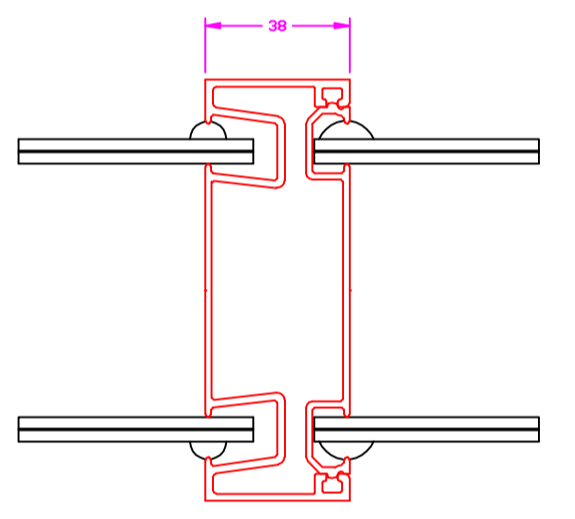
Section L-L
Glass Door Option



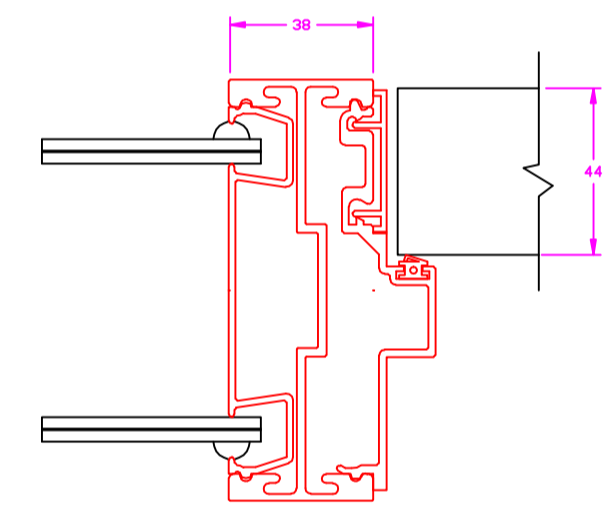
Section F-F



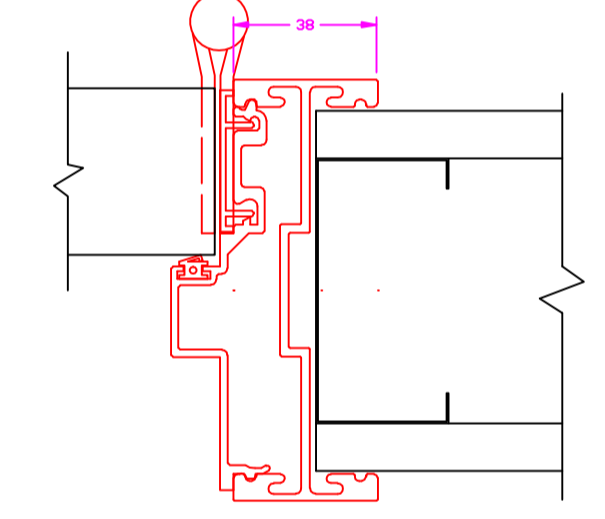
Section H-H



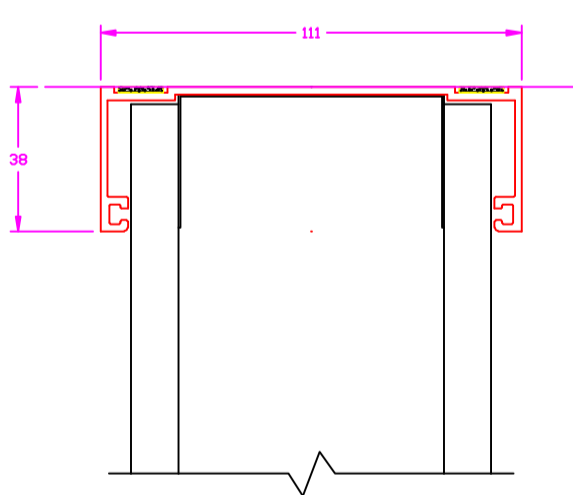
Section J-J



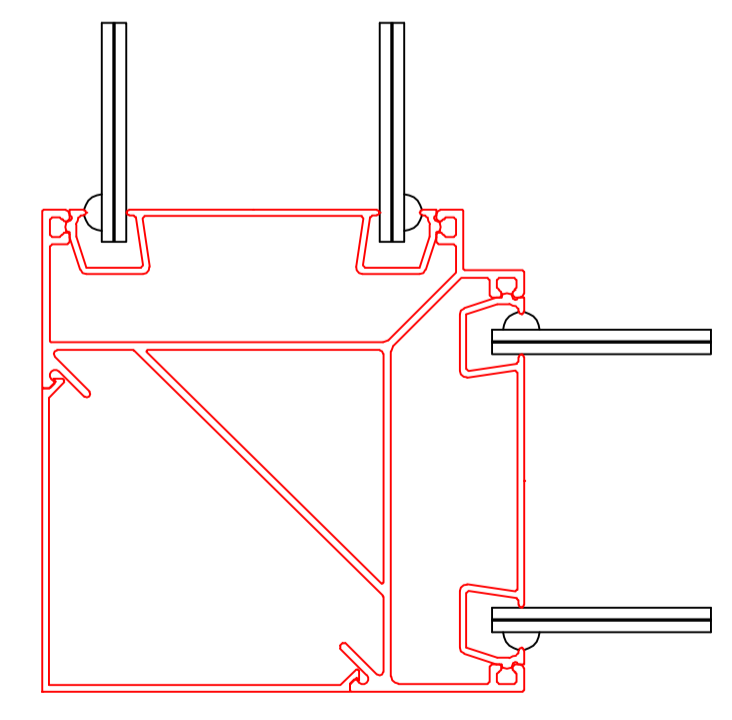
Section K-K



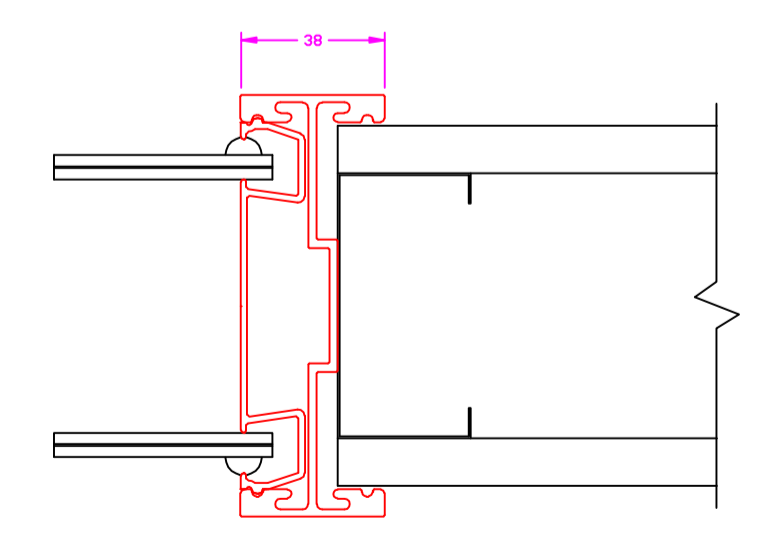
Section L-L



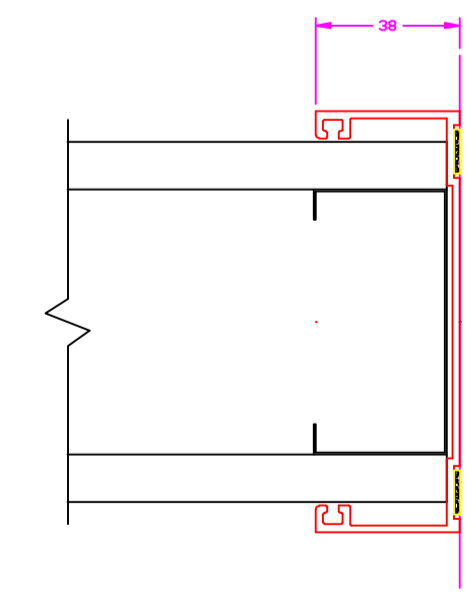
Section D-D



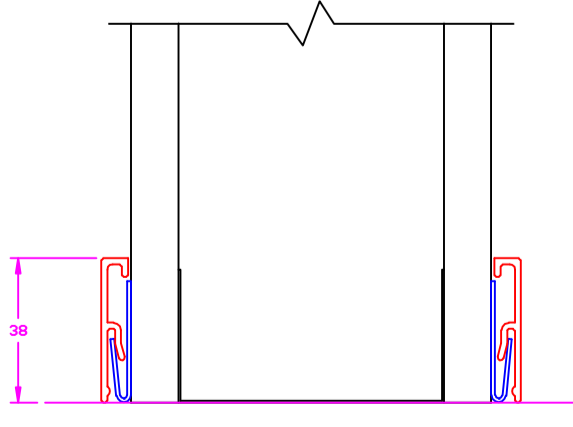
Section M-M



Section N-N



Section P-P



Section G-G

A	08.12.08			RELEASED FOR APPROVAL
Rev.	Date.	By	Ch'kd	Description.

Project
Double Glazed

Drawing Title
Standard or Vision Wall Posts with Drywall Solid

Scale 1:50, 1:2@A1 Date 08/12/08
 Drawn by D.SUTTON Checked by Approved by

Drawing Status

iWALL WORKS
 iWall Limited
 Unit 1, Cambridge Park, Broomfield, Essex, Chelmsford, Essex, UK
 Tel: +44 (0) 204 425111 Fax: +44 (0) 204 425112 Email: info@iwall.co.uk
 www.iwall.co.uk
 Registered Office: 29 Coptham Road, Basingstoke, Hampshire, UK

Dwg No. 1002-2	Rev. A
-------------------	-----------