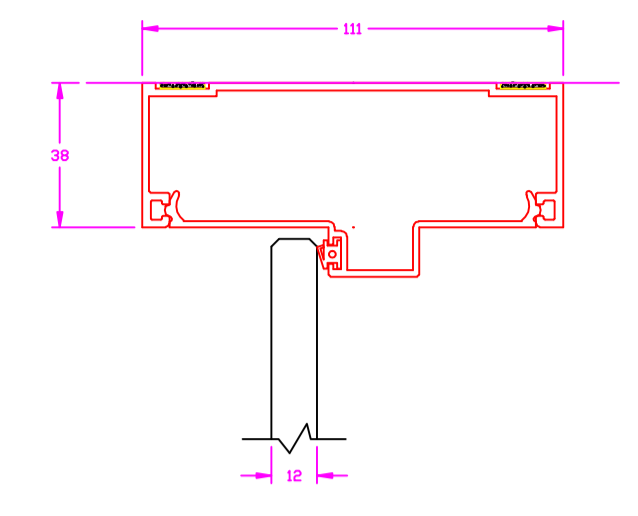
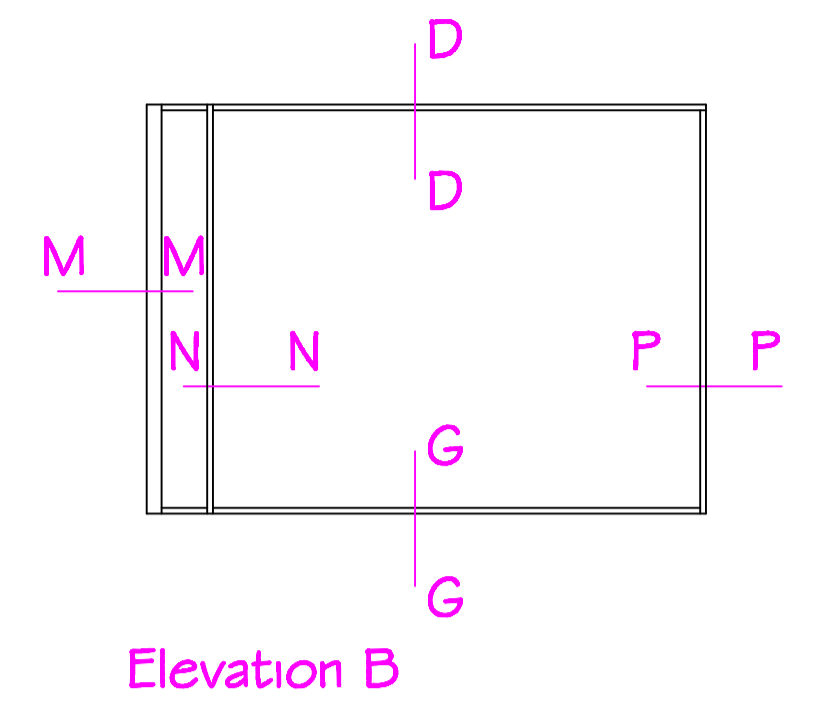
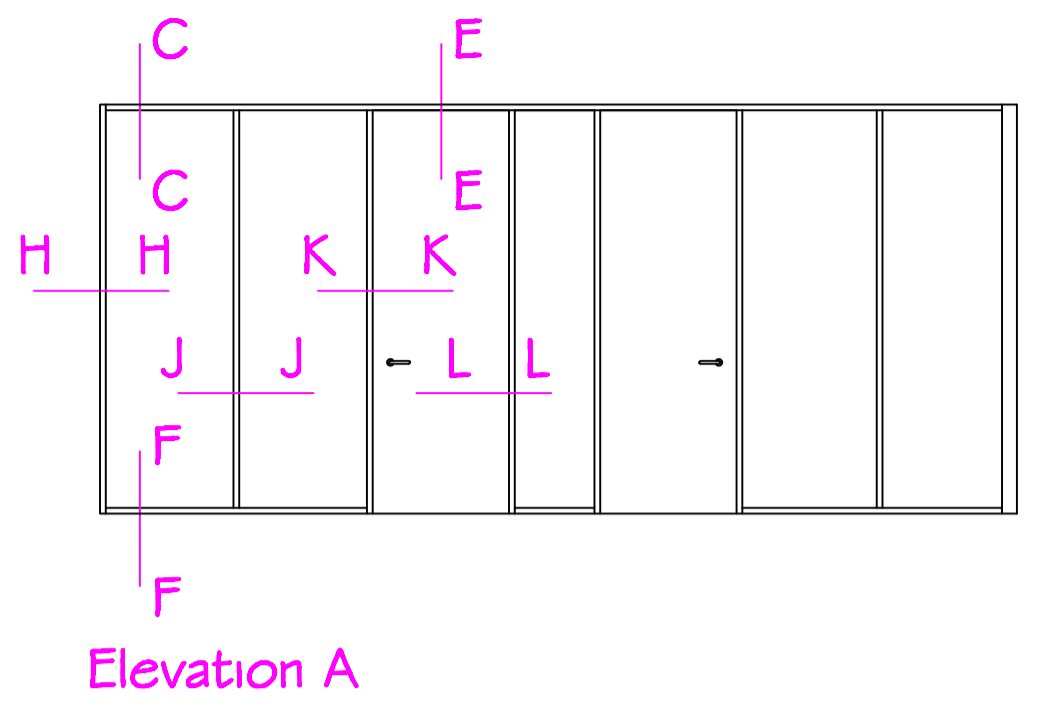
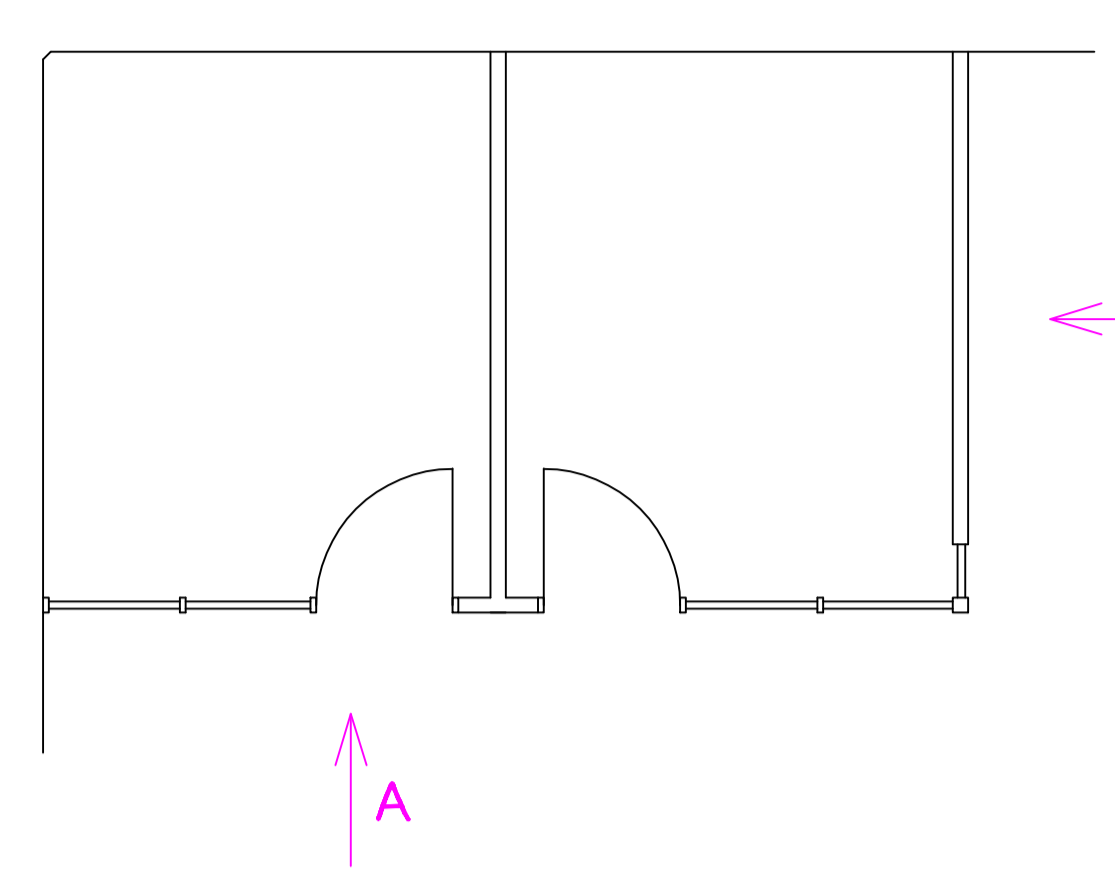
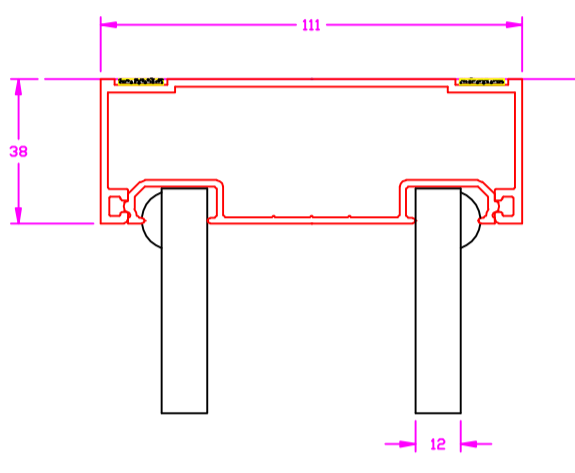


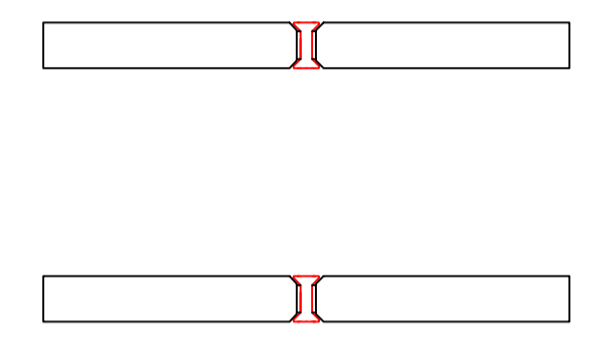
All dimensions in millimetres unless otherwise stated.
 The contractor must verify all dimensions on site before commencing on site.
 Architect must be notified of any suspected discrepancies or omissions.
 Any scaled dimensions to be confirmed by the Architect.



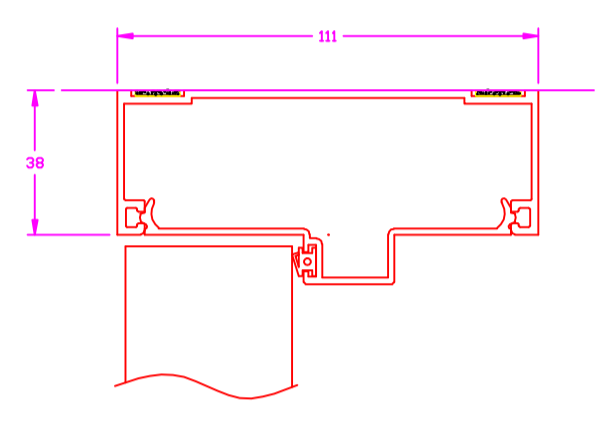
Section E-E
Glass Door Option



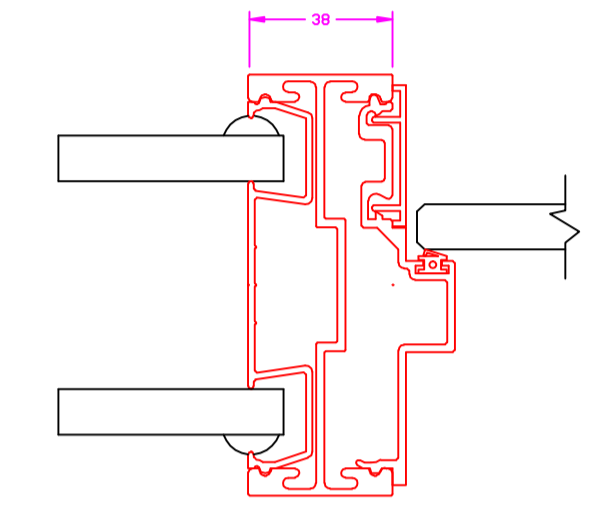
Section C-C



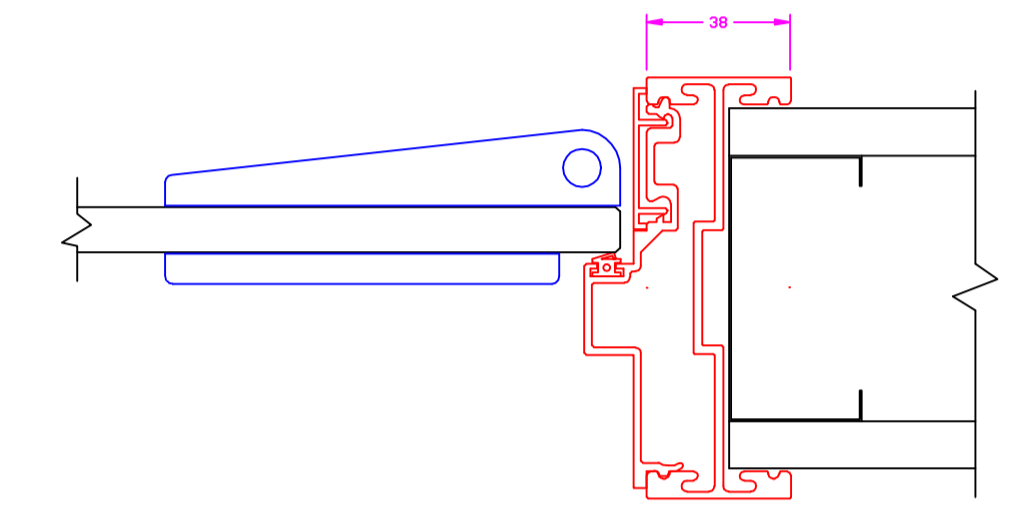
Option
Section J-J



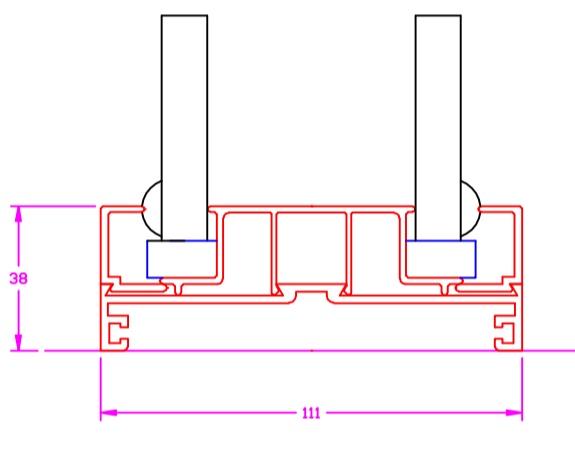
Section E-E



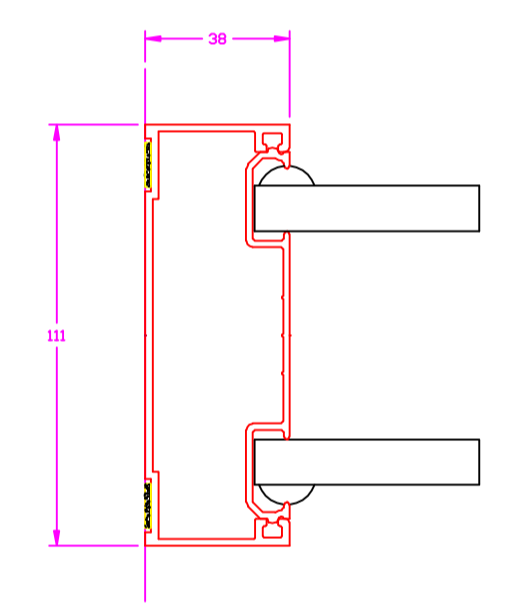
Section K-K
Glass Door Option



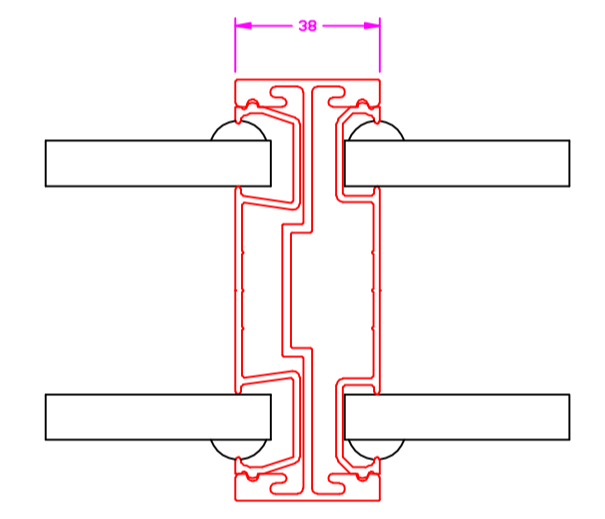
Section L-L
Glass Door Option



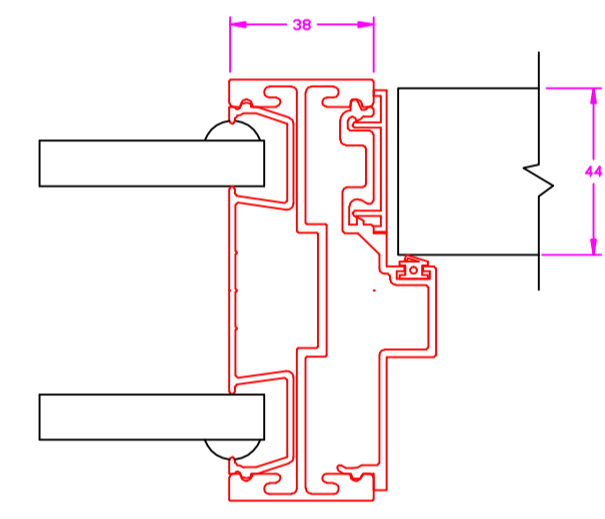
Section F-F



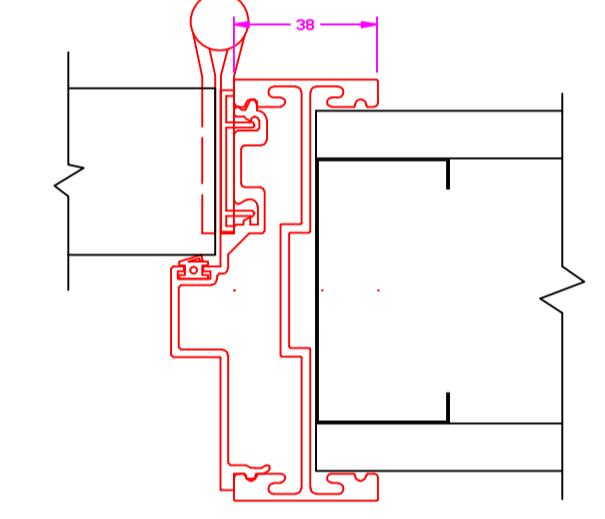
Section H-H



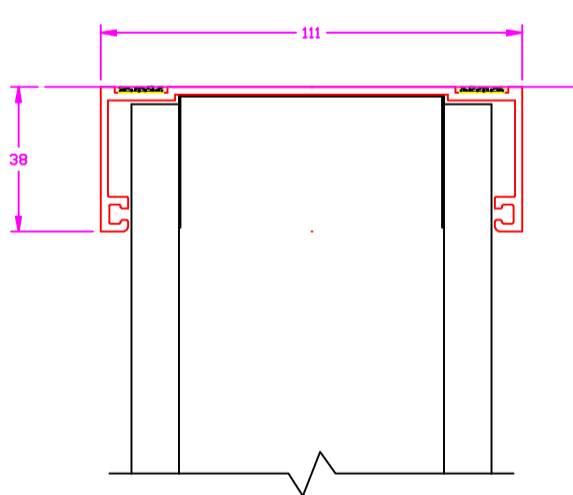
Section J-J



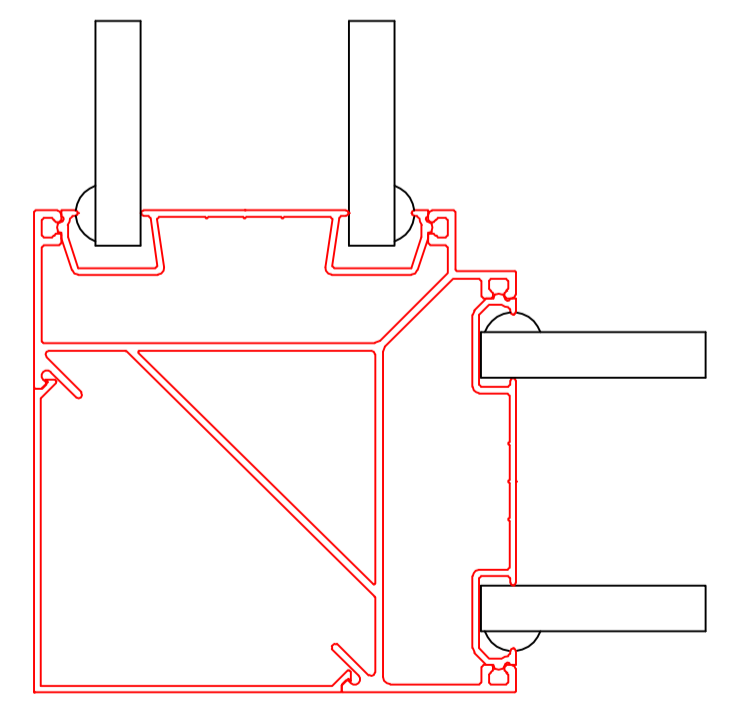
Section K-K



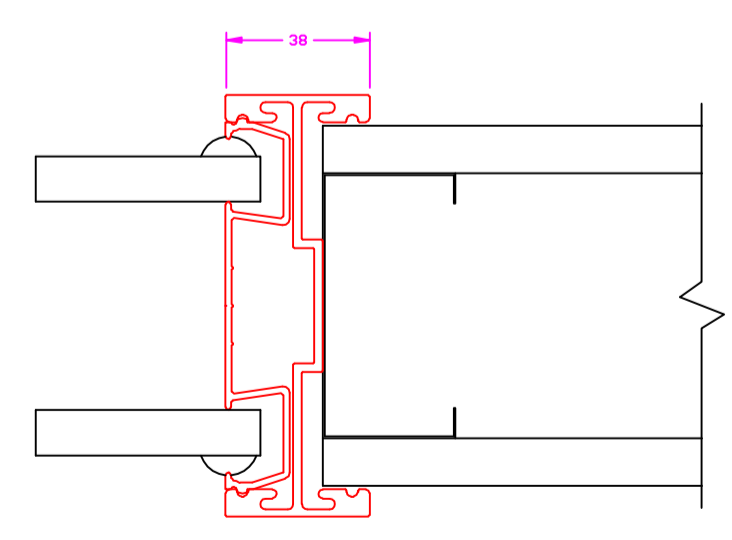
Section L-L



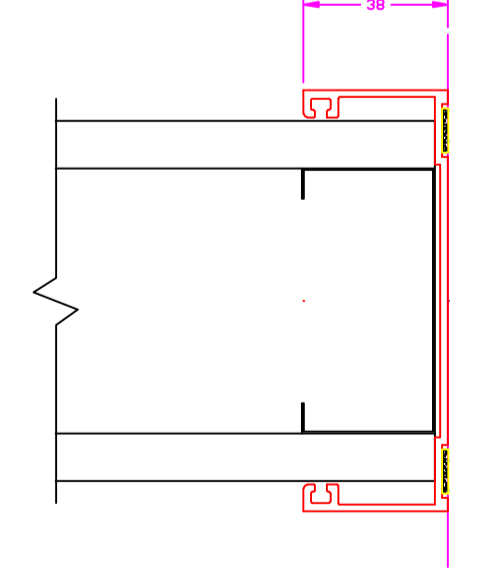
Section D-D



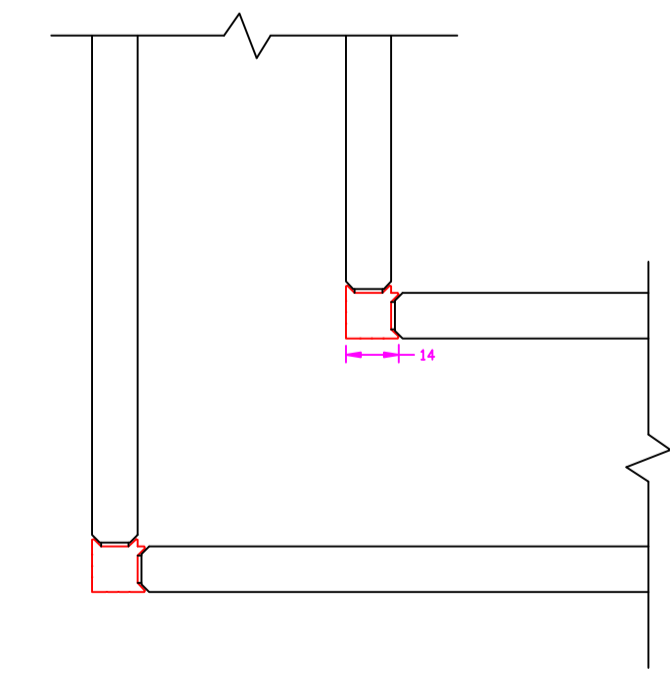
Section M-M



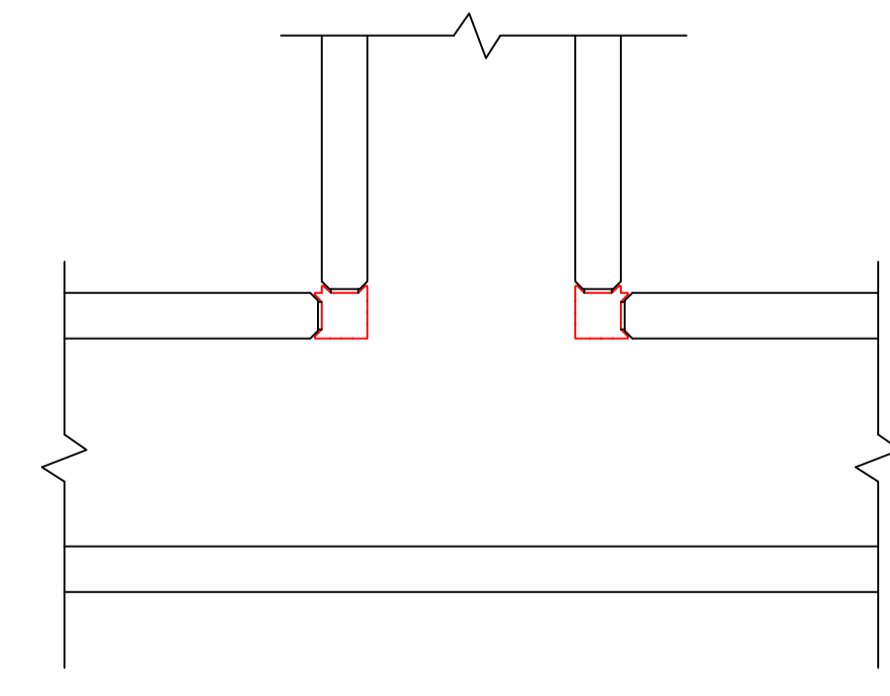
Section N-N



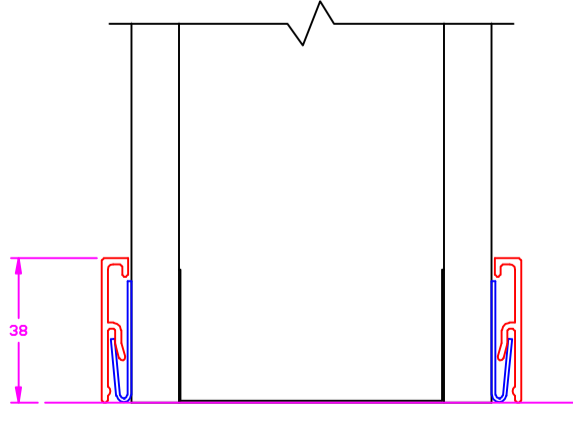
Section P-P



Section M-M
Option



3Way Option



Section G-G

A	08.12.08		RELEASED FOR APPROVAL
Rev.	Date.	By	Ch'kd
			Description.

Project
 Double Glazed
 12mm Glass

Drawing Title
 Standard or Without Post
 with Drywall Solid

Scale 1:50, 1:2@A1 Date 08/12/08
 Drawn by D.SUTTON Checked by Approved by

Drawing Status



Dwg No. 1001-2	Rev. A
-------------------	-----------