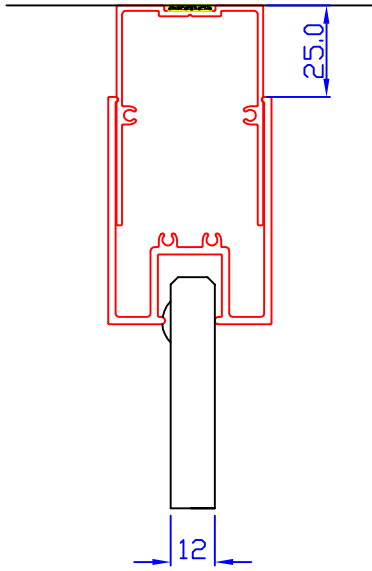
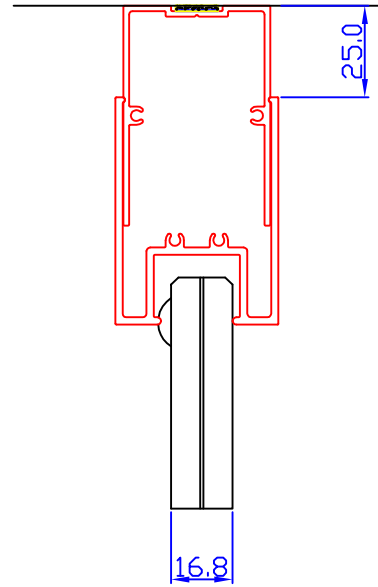


DETAIL 51.0
DEFLECTION HEAD (10–12.8mm GLASS)



Please ensure that the glass is locked to the Aluminium deflection head with clear silicone

DETAIL 52.0
DEFLECTION HEAD (13.5–16.8mm GLASS)



Please ensure that the glass is locked to the Aluminium deflection head with clear silicone

